

**PRODUCT CODE**

DCDLSS (S)

DCDLSP (P)

**COMPONENTS**

- Vitreous china cistern
- Chrome raised 50mm diameter buttons
- Dux 450mm high pan
- UF double flap seat with metal hinges
- Link, mechanisms and fixings

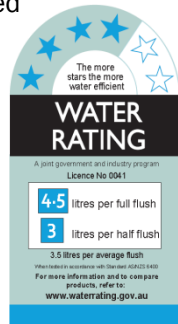
**FEATURES**

- Adaptable link design
- Raised flush buttons for easy use
- Raised height exposed waste pan for mobility impaired
- Sturdy seat with stainless steel hinges
- Side buffers for stability in side transfer
- Adjustable to 6L flush
- S Trap set out 240-290mm
- P Trap set out 190mm

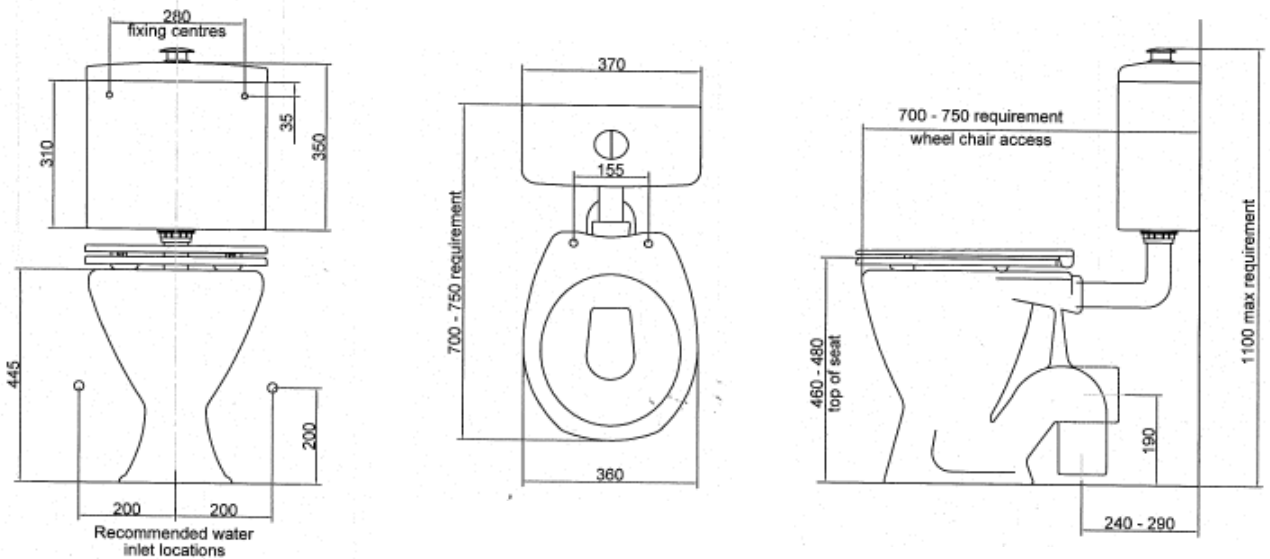


**RELATED PRODUCTS & ACCESSORIES**

- Heart Basin
- Civic Life Style Toilet Suite



**TECHNICAL SPECIFICATIONS**



**NOTES**

- Complies with NZ Building Code specification (Clause G1) as an ideal commercial solution.
- Water inlet is through the base of the cistern and can be positioned either left or right.
- The cistern is mounted to the wall with an exposed flush pipe connecting the cistern and pan. It should be fixed so that the top of the buttons are < 1100mm above the finished floor.
- Dimensions are in millimetres and subject to normal manufacturing variation of +/-3mm on all surfaces. Dux reserves the right to vary specifications without notice.

