

Metris S

Single lever basin mixer for concealed installation wall-mounted with spout 16,5 cm

Surfaces: **Chrome** Article Number: **31162000**



Description

product features

- consists of: single lever basin mixer for concealed installation wall-mounted, waste set
- projection 165 mm
- spray type: normal spray
- maximum flow rate at 3 bar: 5 l/min
- ceramic cartridge
- temperature limitation adjustable
- suitable for continuous flow water heaters
- non-closing waste set
- material waste set: metal
- connection type: basic set
- connection dimension: DN15
- handle can be positioned on the right or left, depends on the basic set installation

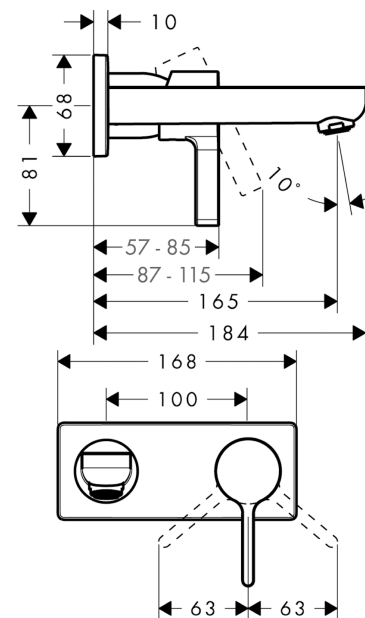
Technology



Product image



Scale drawing



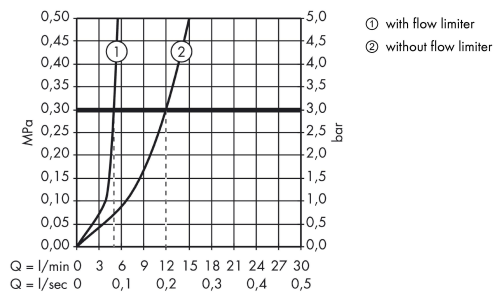
Metris S

Single lever basin mixer for concealed installation wall-mounted with spout 16,5 cm

Surfaces: **Chrome** Article Number: **31162000**



Flowchart



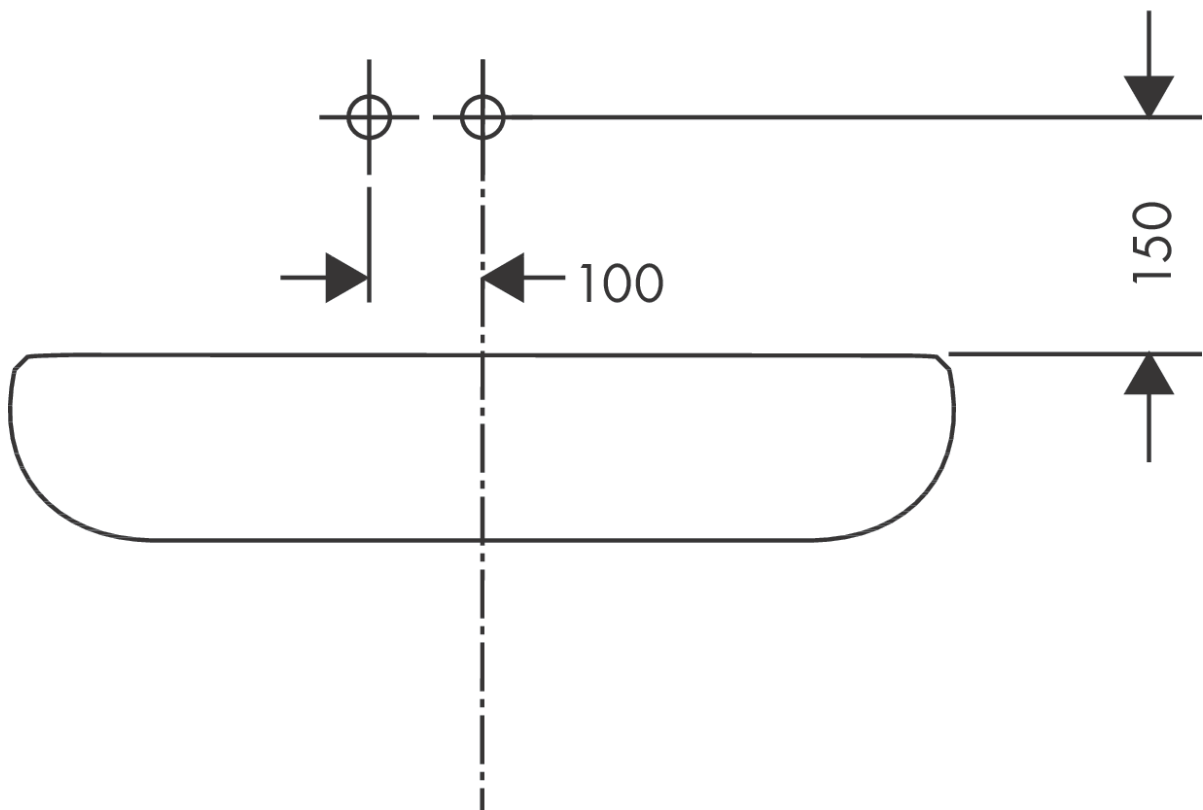
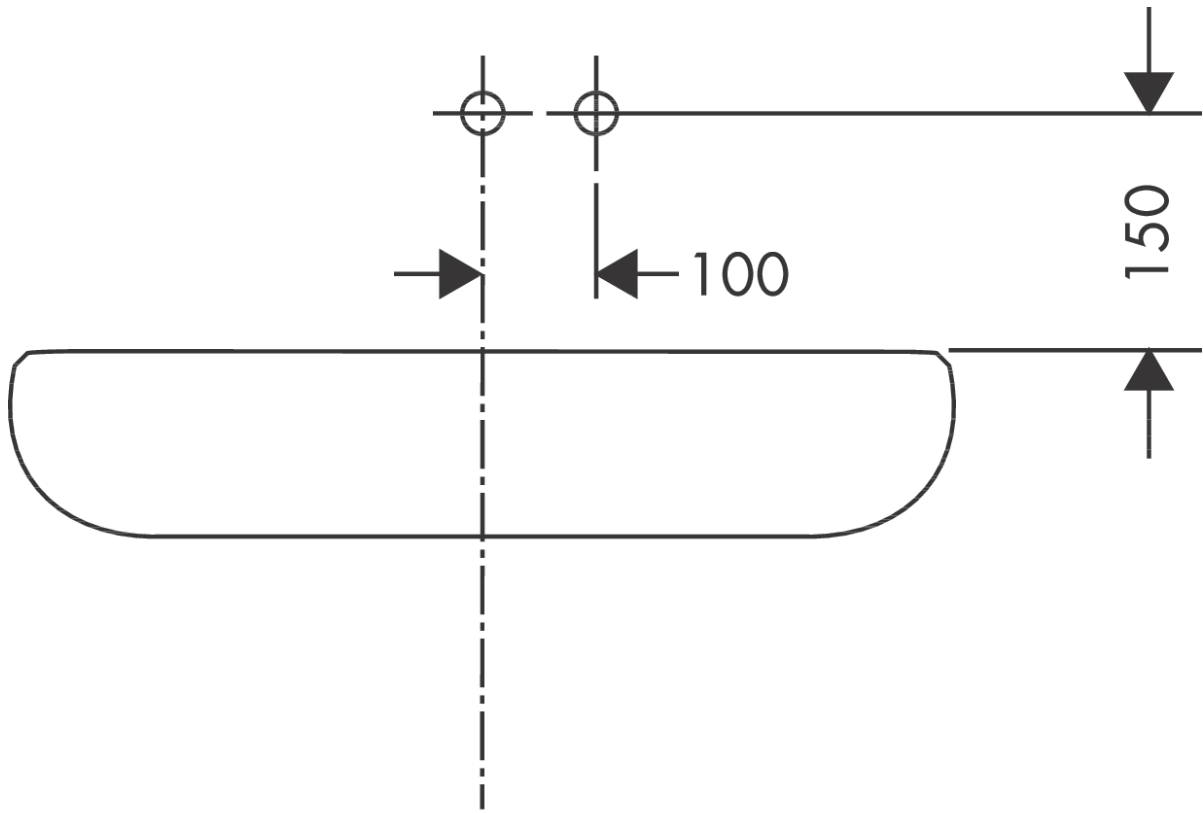
Metris S

Single lever basin mixer for concealed installation wall-mounted with spout 16,5 cm

Surfaces: **Chrome** Article Number: **31162000**



Installation examples



Metris S

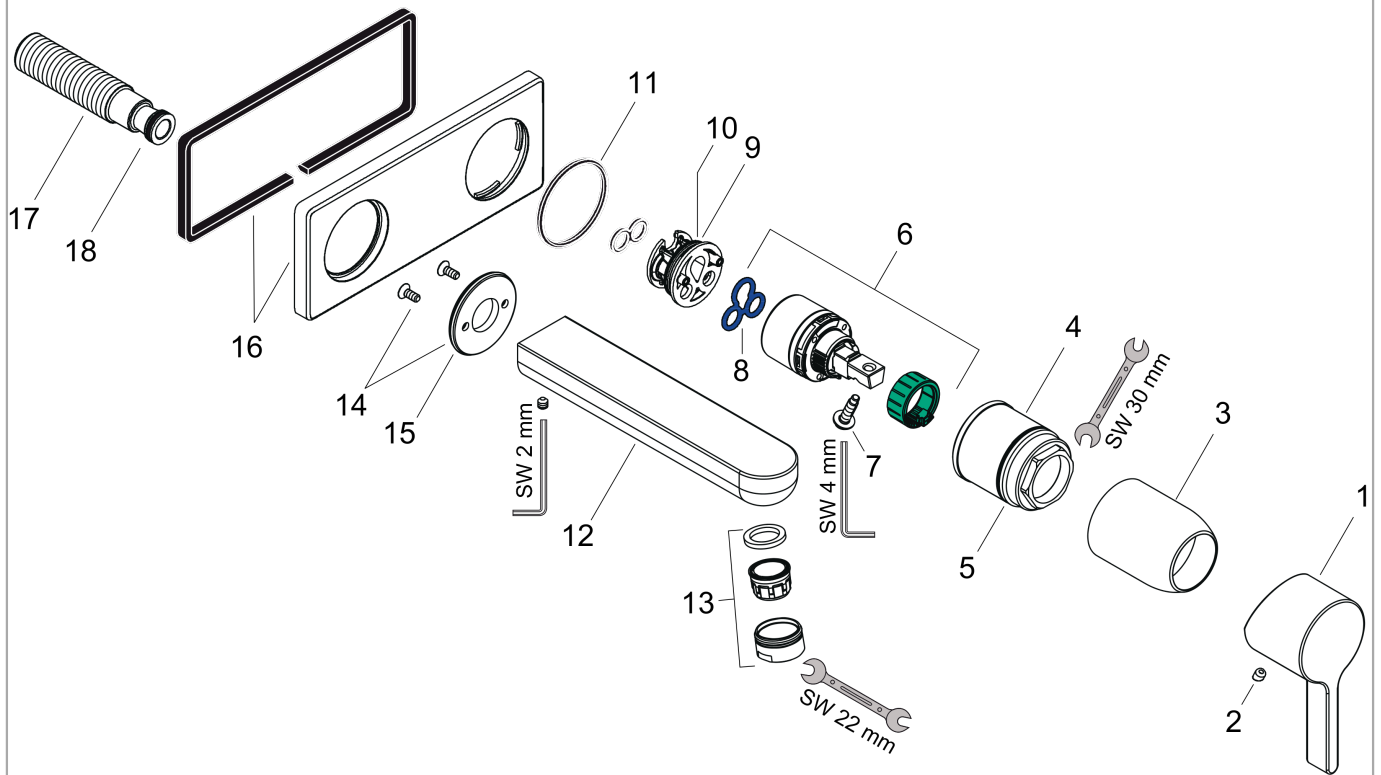
Single lever basin mixer for concealed installation wall-mounted with spout 16,5 cm

Surfaces: **Chrome** Article Number: **31162000**



Exploded Drawing

Year of production: >10/10



Metris S

Single lever basin mixer for concealed installation wall-mounted with spout 16,5 cm

Surfaces: **Chrome** Article Number: **31162000**



Spare part list

Year of production: >10/10

Pos.	Description	Article Number	Price	PU
1	handle	31093000	-	1
2	screw cover	96338000	-	1
3	sleeve	98790000	-	1
4	nut	95622000	-	1
5	O-ring 39x1,5	98400000	-	1
6	cartridge, assy	92730000	-	1
7	locking screw for handle	95140000	-	1
8	seal	95008000	-	1
9	adapter for cartridge	95779000	-	1
10	O-ring 26x2	98147000	-	1
11	O-ring 43x3	98418000	-	1
12	spout 165 mm	95639000	-	1
13	aerator M24x1 (5 l/min)	13185000	-	1
14	escutcheon	95642000	-	1
15	O-ring 41x2	98212000	-	1
16	escutcheon	95641000	-	1
17	connecting thread G½	95626000	-	1
18	O-ring 13x2	98128000	-	1
a	base body	13622180	-	1