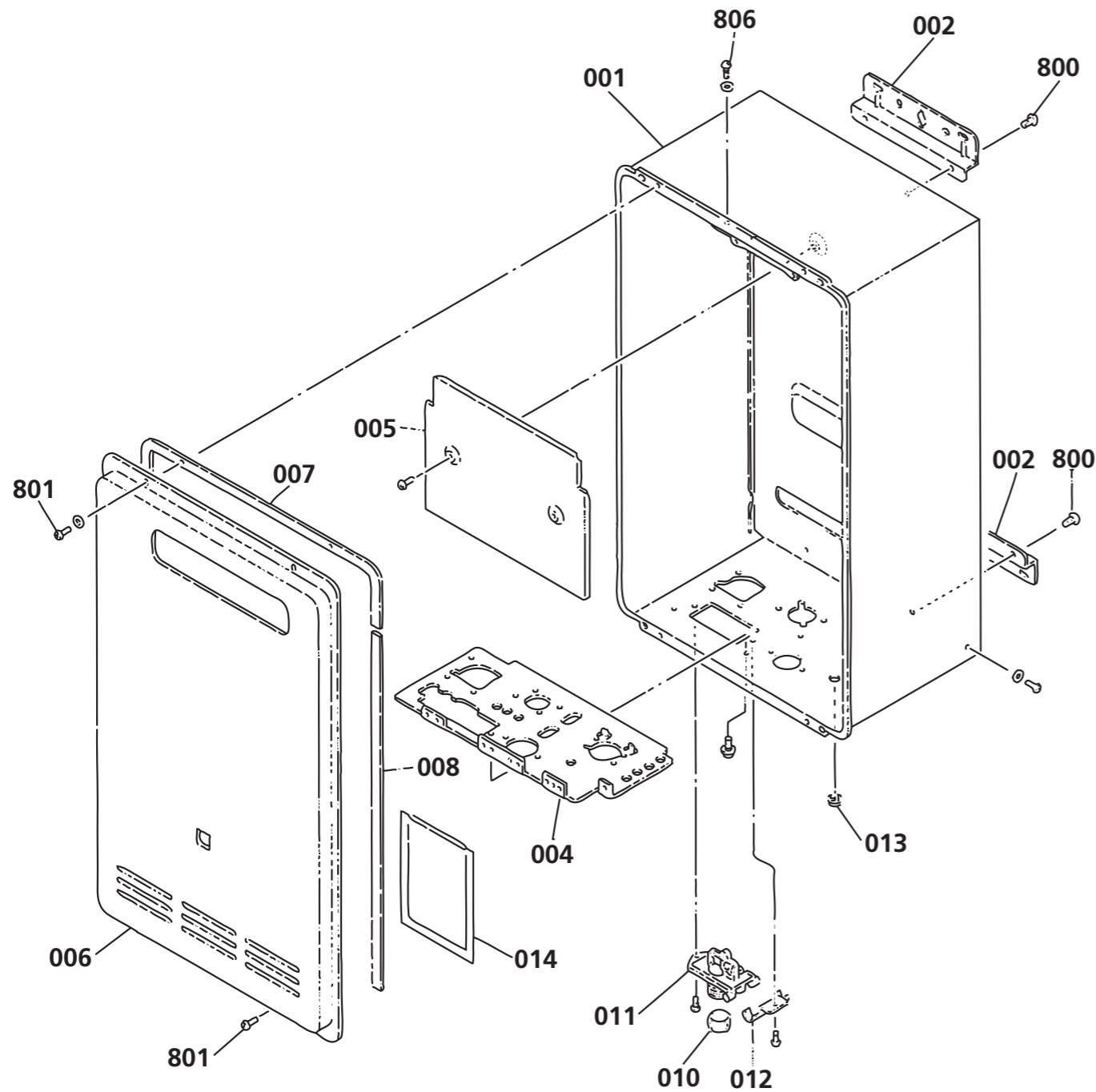
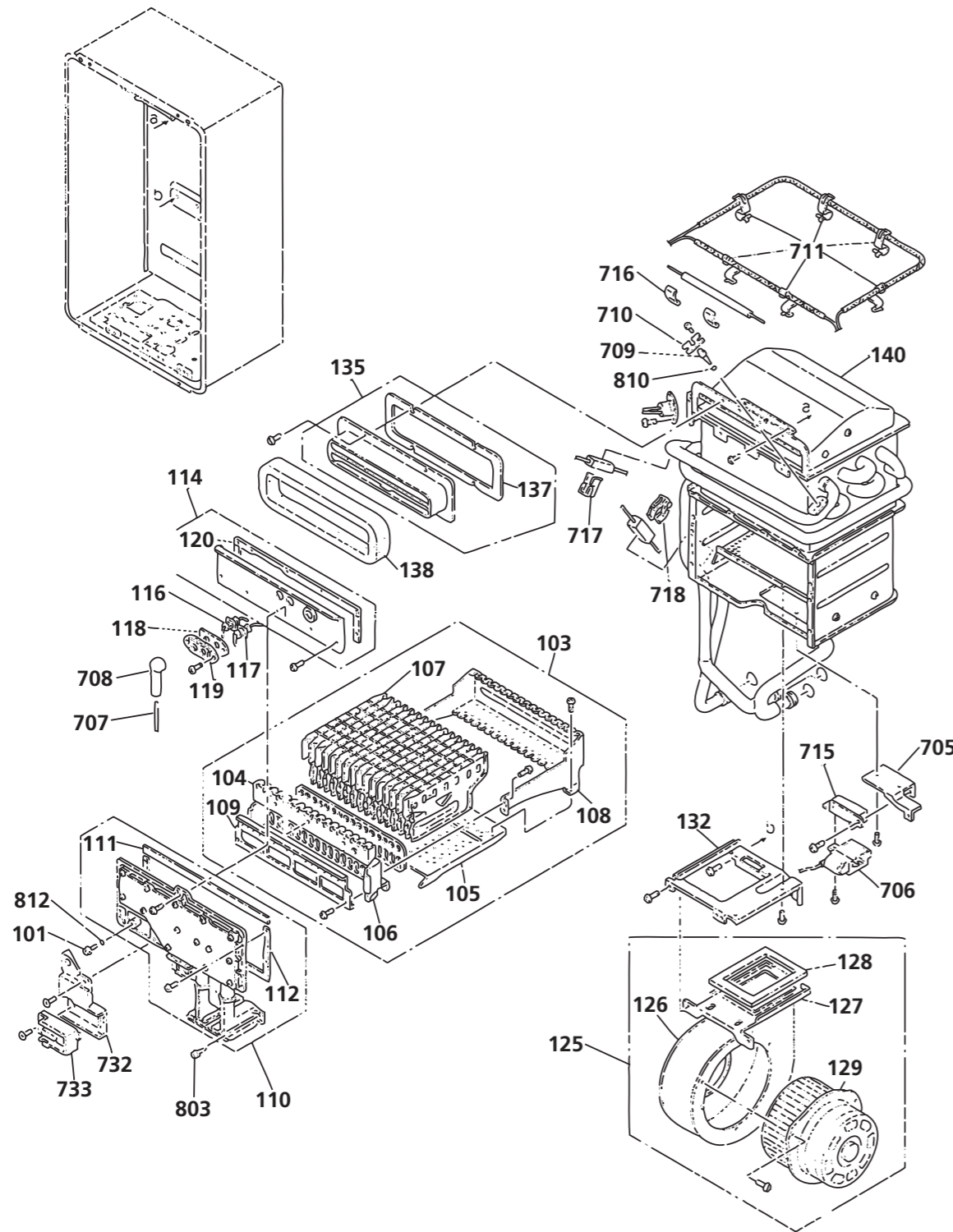


This diagram is provided to assist you to identify parts if replacement is necessary. Contact your place of purchase or the manufacturer to enquire about parts, availability and/or service.



Ref.	Description	Qty.	Part No.
001	Outer case	1	5338
002	Wall bracket Infinity	2	3387
004	Connection reinforcement	1	5347
005	Heat protection plate	1	4933
006	Panel front (no gasket)	1	5340
007	Front panel packing top	1	3418
008	Front panel packing side	2	3807
010	Rubber bush	2	2928
011	Quick control connection	1	3310
012	Connection support clip	1	3311
013	Low adjustment cap	1	2898
800	Screw	4	4767
801	Screw pack for front panel	1	R5040
806	Screw	2	4763

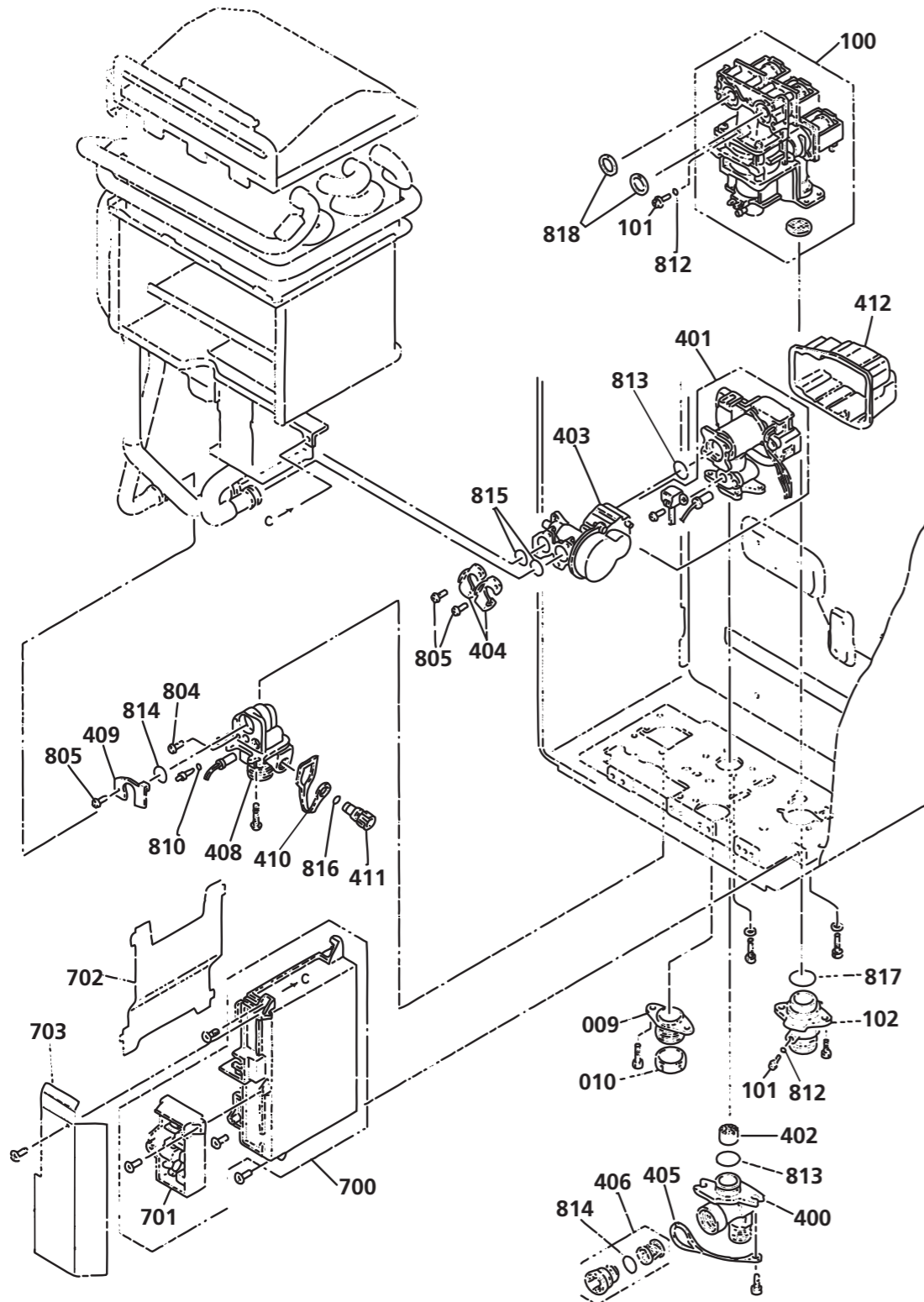
This diagram is provided to assist you to identify parts if replacement is necessary. Contact your place of purchase or the manufacturer to enquire about parts, availability and/or service.



Ref.	Description	Qty.	Part No.
	SI = stocked item		
101	Screw T.P seal	3	3564
103	Burner unit assy LPG	1	3566
103	Buner unit assy NG	1	5337
104	Burner case front panel	1	4937
105	Burner case bottom plate	1	4938
106	Gasket burner case front	1	4939
107	Burner low Nox bunsen	16	3440
108	Burner case back plate	1	4940
109	Damper LPG	1	3567 (SI)
109	Damper NG	1	5267 (SI)
110	Manifold assy LPG	1	4941 (SI)
110	Manifold assy NG	1	4942 (SI)
111	Sealing combustion	1	3589 (SI)
112	Sealing lower comb. chamber	1	3597 (SI)
114	Front plate comb. chamber assy	1	4943
116	Electrode	1	3445 (SI)
117	Flame rod	1	3464 (SI)
118	Electrode packing	1	3322 (SI)
119	Electrode holder	1	3468
120	Gasket comb. chamber front panel packing	1	3600 (SI)
125	Fan assembly	1	40086
126	Fan casing assembly	1	5348
127	Fan connecting	1	4948
128	Sealing fan connecting	1	2669
129	Combustion fan motor	1	5336 (SI)
132	Combustion chamber front brkt.	1	5216
135	Flue spigot assembly	1	5342
137	Sealing flue spigot	1	5341
138	Sealing flue termination	1	5334
140	Heat exchanger assembly	1	4883 (SI)
705	Ignitor bracket	1	5231 (SI)
-	Gasket kit HD200 (includes; 111, 112, 118, 120)	1	5355 (SI)

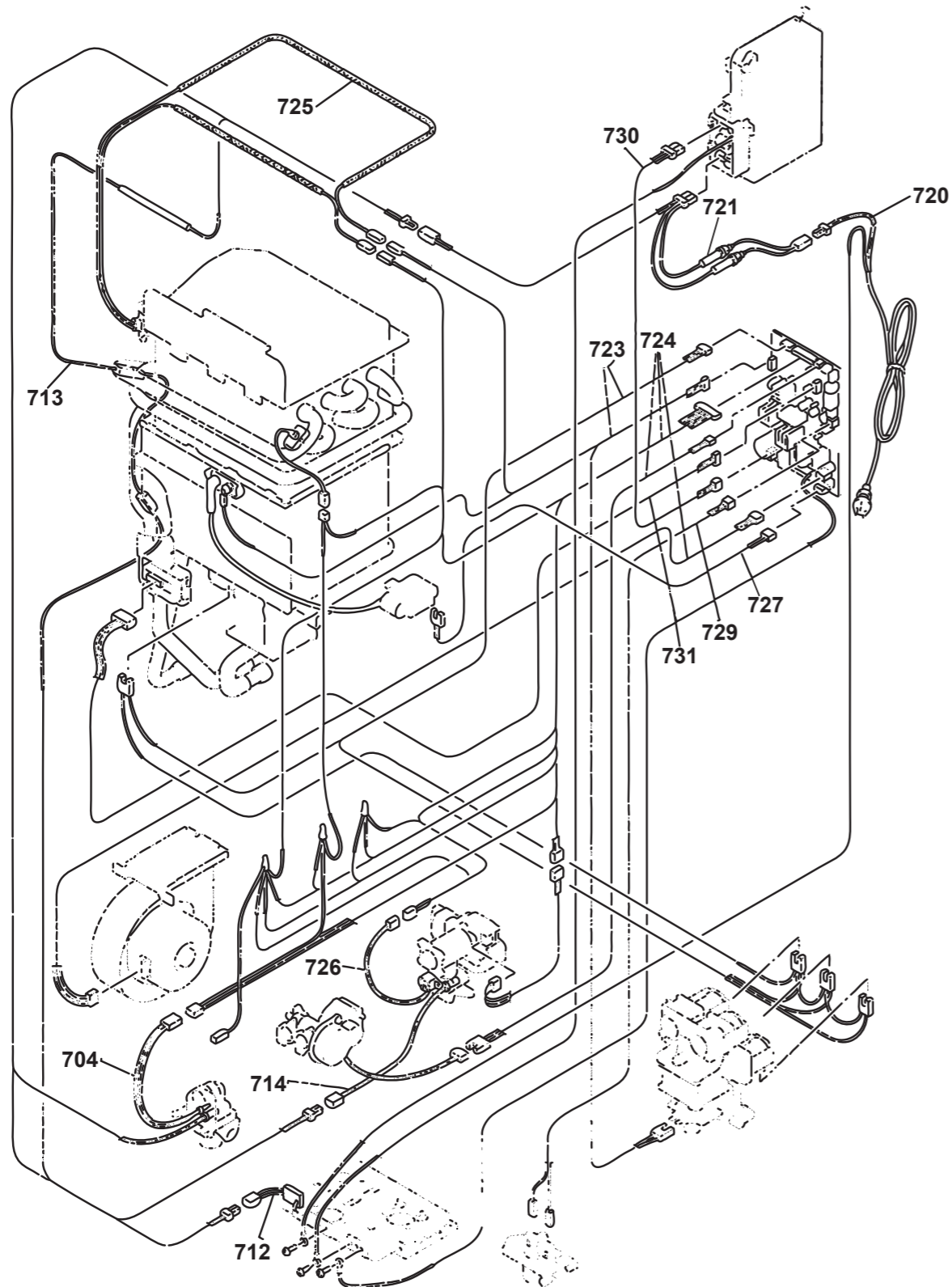
Ref.	Description	Qty.	Part No.
706	Ignitor assy.	1	2886 (SI)
707	High tension lead	1	5335 (SI)
708	Sleeve electrode	1	3475 (SI)
709	Thermistor-2	1	2885
710	Thermistor-2 bracket	1	3882
711	Thermal fuse clip	5	3659
715	Ignitor bracket	1	5345
716	Heater bracket	2	3891
717	Heater A bracket	1	3917
718	Heater B bracket	1	2899
732	Status monitor bracket	1	5344
733	Status monitor	1	2853
803	Screw	3	2938
810	O-ring	2	3232
812	O-ring	3	2239

This diagram is provided to assist you to identify parts if replacement is necessary. Contact your place of purchase or the manufacturer to enquire about parts, availability and/or service.



Ref.	Description	Qty.	Part No.
	SI = stocked item		
009	Gland	1	3896
010	Gasket cable seal	2	2928
100	Gas control assy	1	4936 (SI)
101	Test point screw Infinity	3	3564
102	Gas connection	1	3074
400	Water inlet	1	3484
401	Water servo and sensor	1	5227 (SI)
-	Water sensor turbine (not shown)	1	2850
402	Flow straightener	1	3487
403	Bypass servo assy	1	3944 (SI)
404	Fixing bracket Infinity	1	3624
405	Plug band inlet	1	2927
406	Incoming water filter Infinity	1	3839
408	Hot water outlet	1	3625
409	Fixing bracket Infinity	1	3645
410	Plug band hot water Infinity	1	2926
411	Pressure relief valve	1	3491
412	Water flow servo cover	1	2871
700	PCB main assembly	1	5349 (SI)
701	Surge protector	1	4930 (SI)
702	Sub circuit board cover	1	5230
703	EC cover 2-Z	1	3950
804	Thermistor stop screw	1	3241
805	Screw	3	2938
810	O-ring 4, 2406, 1616, 2010	2	3832
812	O-ring	3	3627
813	O-ring 18, 24W, 2006FU	2	3627
814	O-ring (p-16) 5RX	2	1244
815	O-ring	2	3826
816	O-ring 7, 68E, 51FT	1	1031
817	Infinity gas inlet o-ring	1	3837
818	O-ring gas control	2	3773 (SI)

This diagram is provided to assist you to identify parts if replacement is necessary. Contact your place of purchase or the manufacturer to enquire about parts, availability and/or service.



Ref.	Description	Qty.	Part No.
	SI = stocked item		
704	Thermistor assy	1	2884 (SI)
712	Frost sensing switch	1	3358 (SI)
713	Heater antifrost assy	1	5343 (SI)
714	Heater water flow	1	4752 (SI)
720	Electric power cord	1	3526 (SI)
721	Fuse harness	1	5235 (SI)
723	Harness solenoid valve	1	5236 (SI)
724	Harness sensor	1	5350 (SI)
725	Thermal fuse harness	1	5238 (SI)
726	MR sensor assy	1	5239 (SI)
727	Harness ignitor	1	5240 (SI)
729	Harness remote controller	1	2891 (SI)
730	Harness electric power	1	5241 (SI)
731	Harness status monitor	1	2857 (SI)