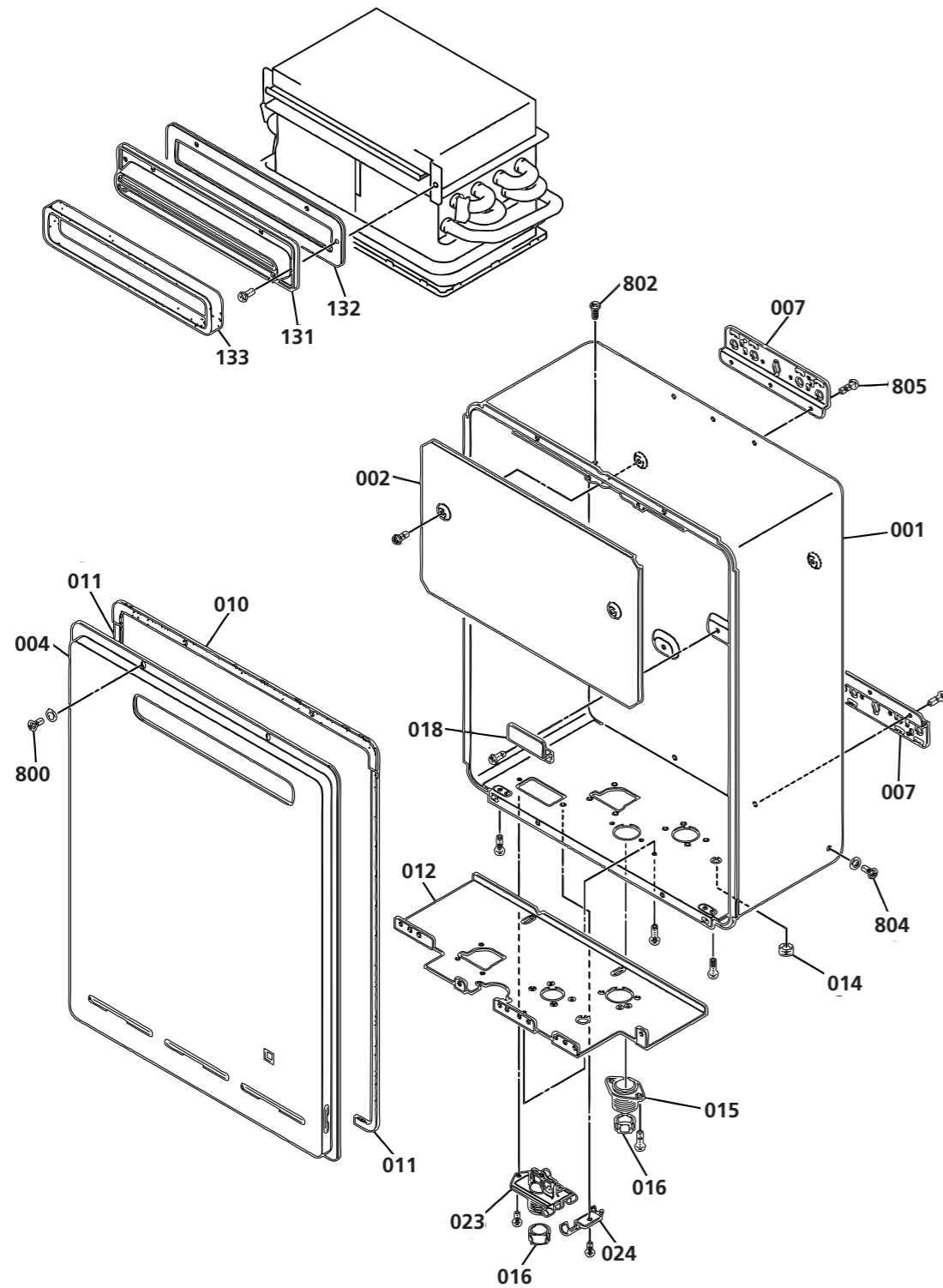


# INFINITY HD250 (REU-VR3237WG) external water heater

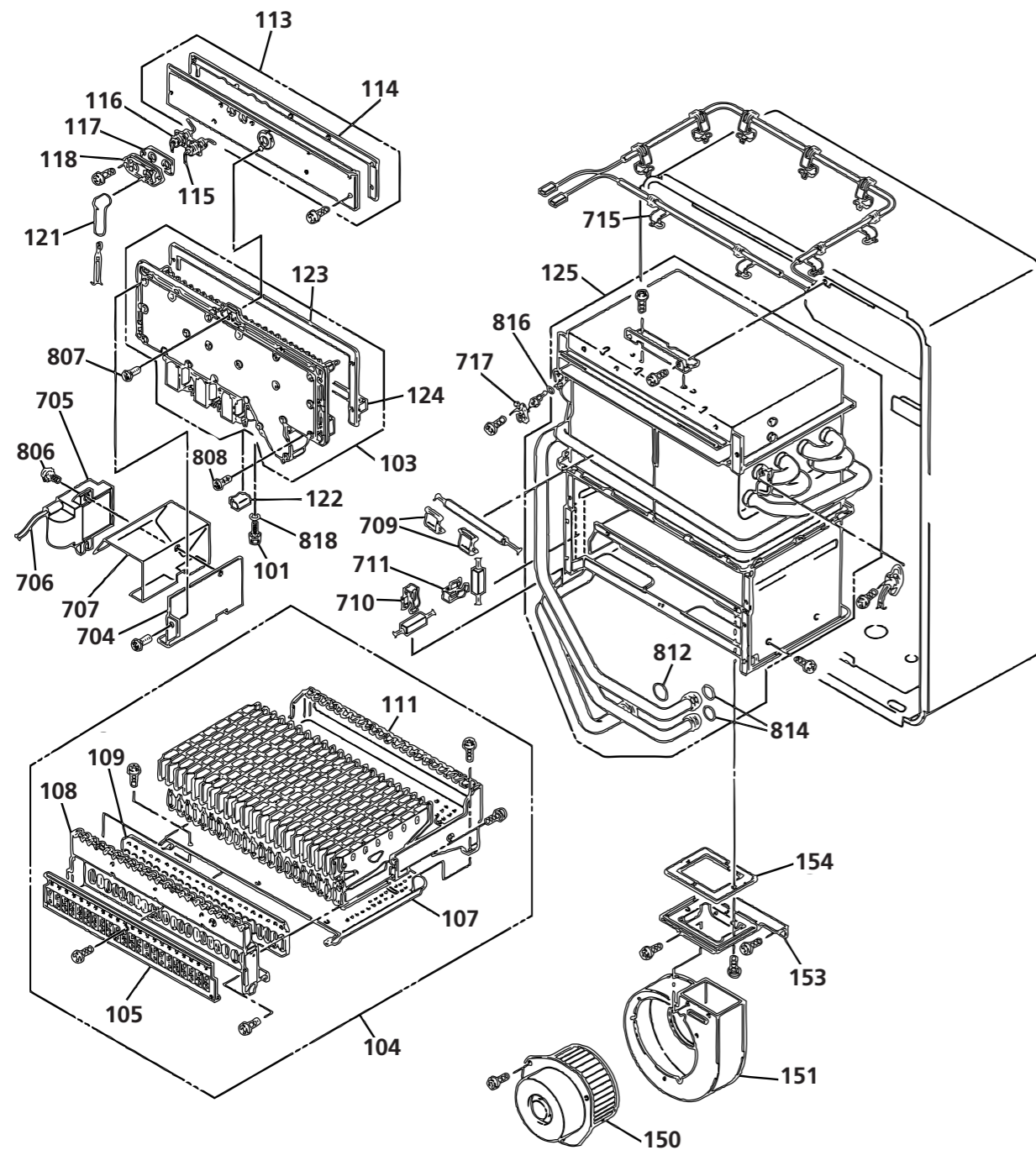
This diagram is provided to assist you to identify parts if replacement is necessary. Contact your place of purchase or the manufacturer to enquire about parts, availability and/or service.



Ref.	Description	Qty.	Part No.
SI = stocked item			
001	Casing assembly	1	3292
002	Heat protection plate	1	3294
004	Front panel assembly	1	3296 (SI)
007	Wall bracket	2	3387 (SI)
010	Front panel packing	1	3418
011	Front panel packing side	2	3423
012	Panel connection	1	3300
014	Seal packing	2	2898
015	Cable connection	1	3896 (SI)
016	Cable seal packing	1	2928
018	Reinforcement plate	1	3303
023	Cable access assembly	1	3310 (SI)
024	Cable access bracket	1	3311
131	Flue outlet	1	3555 (SI)
132	Flue outlet packing	1	3479 (SI)
133	Flue outlet packing	1	3344
800	Screw pack for front panel	1	R5040
802	Screw	2	4763
804	Screw	8	4765
805	Screw	5	4767

# INFINITY HD250 (REU-VR3237WG) external water heater

This diagram is provided to assist you to identify parts if replacement is necessary. Contact your place of purchase or the manufacturer to enquire about parts, availability and/or service.

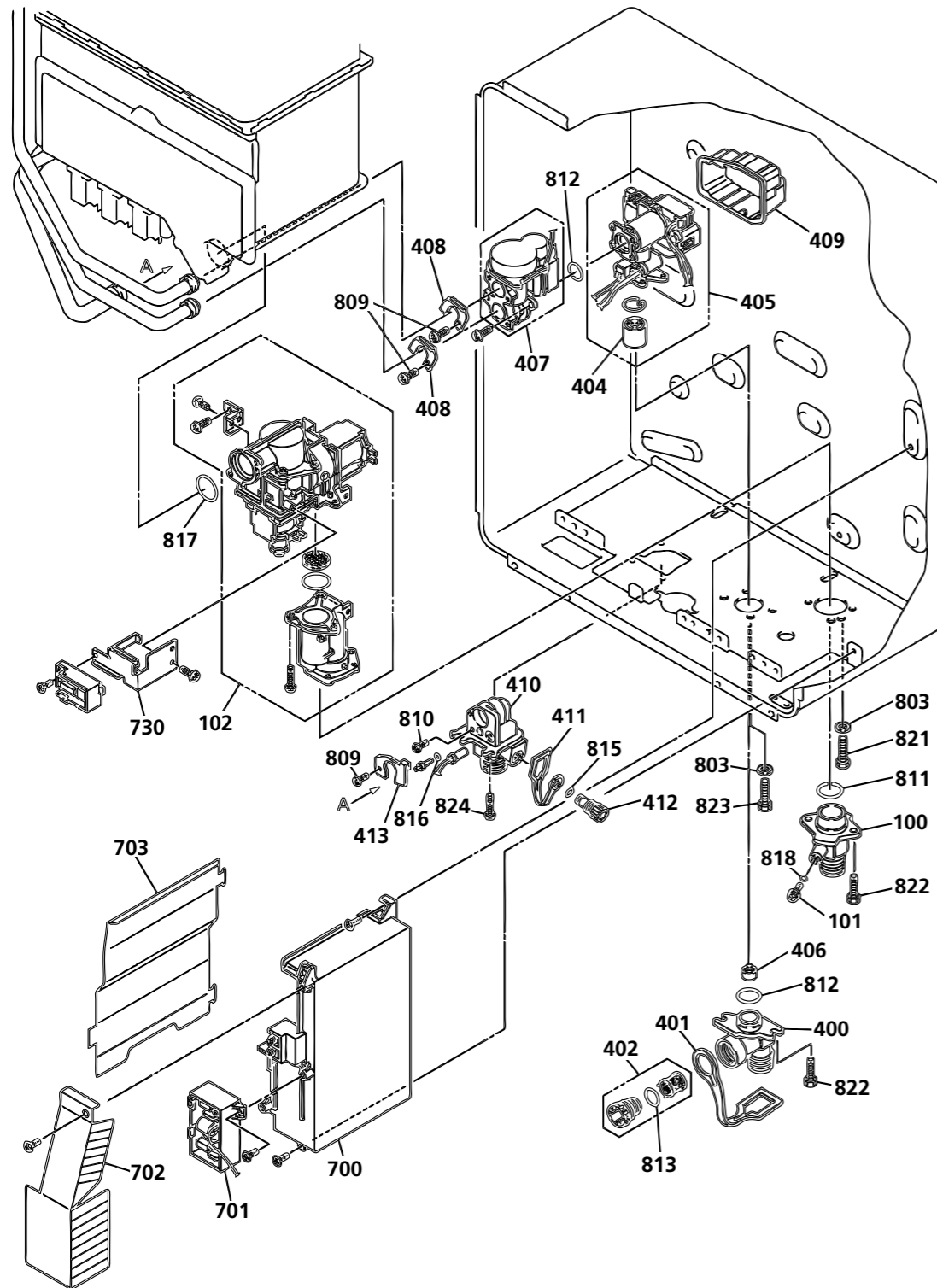


Ref.	Description	Qty.	Part No.
SI = stocked item			
101	Pressure point screw	1	3564
103	Manifold assembly NG	1	3314
103	Manifold assembly LPG	1	3313 (SI)
104	Burner unit assembly	1	3315
105	Damper NG	1	3316
105	Damper LPG	1	3337
107	Burner case bottom plate	1	3317
108	Burner case front	1	3318
109	Packing	1	3439
111	Burner case back panel	1	3319
-	Combustion chamber front panel assembly, use parts 113 and 114	1	-
113	Combustion chamber front plate	1	3320
114	Comb. chamber front plate packing	1	3443
115	Electrode	1	3445
116	Flame rod	1	4916
117	Electrode packing	1	3322
118	Electrode holder	1	3468
121	Electrode sleeve	1	3475
122	Solenoid valve cover	1	3323
123	Upper comb. chamber packing	1	3324
124	Lower comb. chamber packing	1	3325
125	Heat exchanger complete assy.	1	3327 (SI)
150	Fan motor	1	2883 (SI)
151	Fan motor casing	1	2863 (SI)
153	Fan connecting bracket	1	3763
154	Fan connection packing	1	3482
704	Ignitor bracket	1	3952
705	Ignitor	1	2886
706	HT lead	1	3651
707	Ignitor cover	1	3953
709	Anti frost heater clip	1	3891

Ref.	Description	Qty.	Part No.
710	Heater fixing plate	1	2899
711	Anti frost heater clip	1	3536
715	Fuse clip	1	2869
717	Thermistor clip	1	3882
806	Tapping screw	1	2896
807	Screw	5	4768
808	Screw	1	2938
812	O-ring in/out water	1	3627
814	O-ring heat exchanger outlet	1	3826
816	O-ring thermistor	1	3832
818	O-ring	2	2239

# INFINITY HD250 (REU-VR3237WG) external water heater

This diagram is provided to assist you to identify parts if replacement is necessary. Contact your place of purchase or the manufacturer to enquire about parts, availability and/or service.



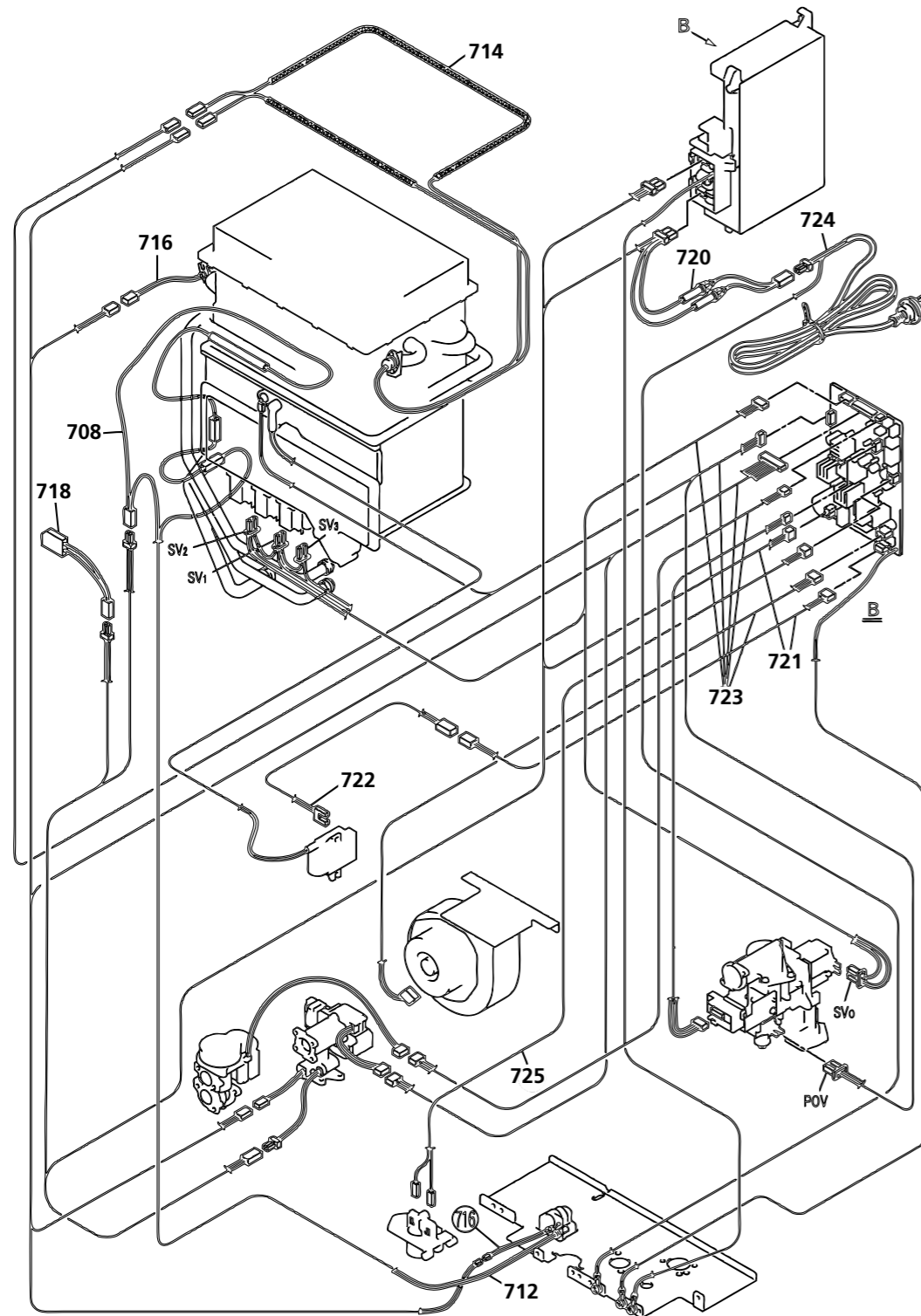
Ref.	Description	Qty.	Part No.
SI = stocked item			
100	Gas connection	1	3074
101	Pressure point screw	1	3564
102	Gas control assembly	1	4998
400	Water inlet	1	2894
401	Plug band inlet	1	2927
402	Incoming water filter	1	3839 (SI)
404	Water turbine	1	2850
405	Flow servo & sensor assembly (with valve heater)	1	5227 (SI)
406	Flow straightener	1	3487
407	Bypass servo assembly	1	3944 (SI)
408	Stop bracket	1	3624
409	Water flow servo cover	1	2871
410	Hot water outlet ¾ NPT	1	3946
411	Plug band hot water	1	2926
412	Pressure relief valve	1	3491
413	Stop bracket	1	3948
700	PCB	1	5349
701	Surge protector	1	4930 (SI)
702	PCB front cover	1	3950
703	PCB side cover	1	3951
730	Status monitor bracket	1	4761
803	Washer (10 pieces)	5	4764
809	Screw	3	4769
810	Thermistor stop screw	1	3241
811	Gas inlet o-ring	1	3837
812	O-ring in/out water	1	3627
813	O-ring water filter	1	1244
815	O-ring pressure relief valve	1	1031

Ref.	Description	Qty.	Part No.
816	O-ring thermistor	1	3832
817	Packing	1	3521
818	O-ring	2	2239
821	Screw	1	4770
822	Screw	4	4771
823	Screw	2	4772
824	Screw	3	4773



# INFINITY HD250 (REU-VR3237WG) external water heater

This diagram is provided to assist you to identify parts if replacement is necessary. Contact your place of purchase or the manufacturer to enquire about parts, availability and/or service.



Ref.	Description	Qty.	Part No.
SI = stocked item			
708	230 V A-frost heater assembly	1	3955
712	230 V valve heater assembly	1	4752
714	Thermal fuse harness	1	4753
716	Thermistor	1	2884 (SI)
718	Frost sensing switch	1	3358
720	Fuse harness (no heater)	1	4755
720	Fuse harness antifrost (with heater)	1	4756
721	220 V power supply harness	1	4757
722	220 V ignitor harness	1	4758
723	Sensor harness	1	4759
724	Power cord	1	3526
725	Remote control harness	1	2891