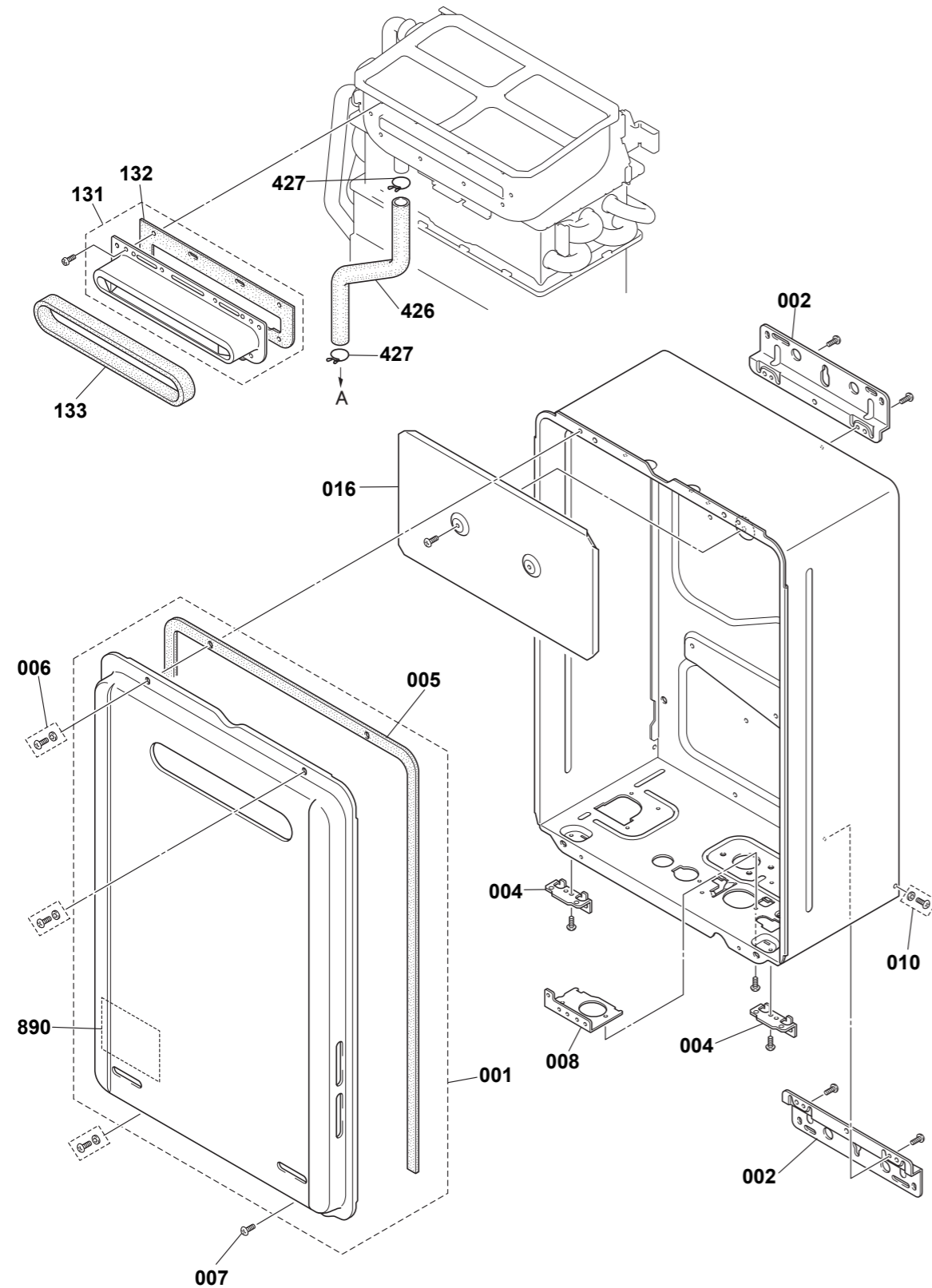
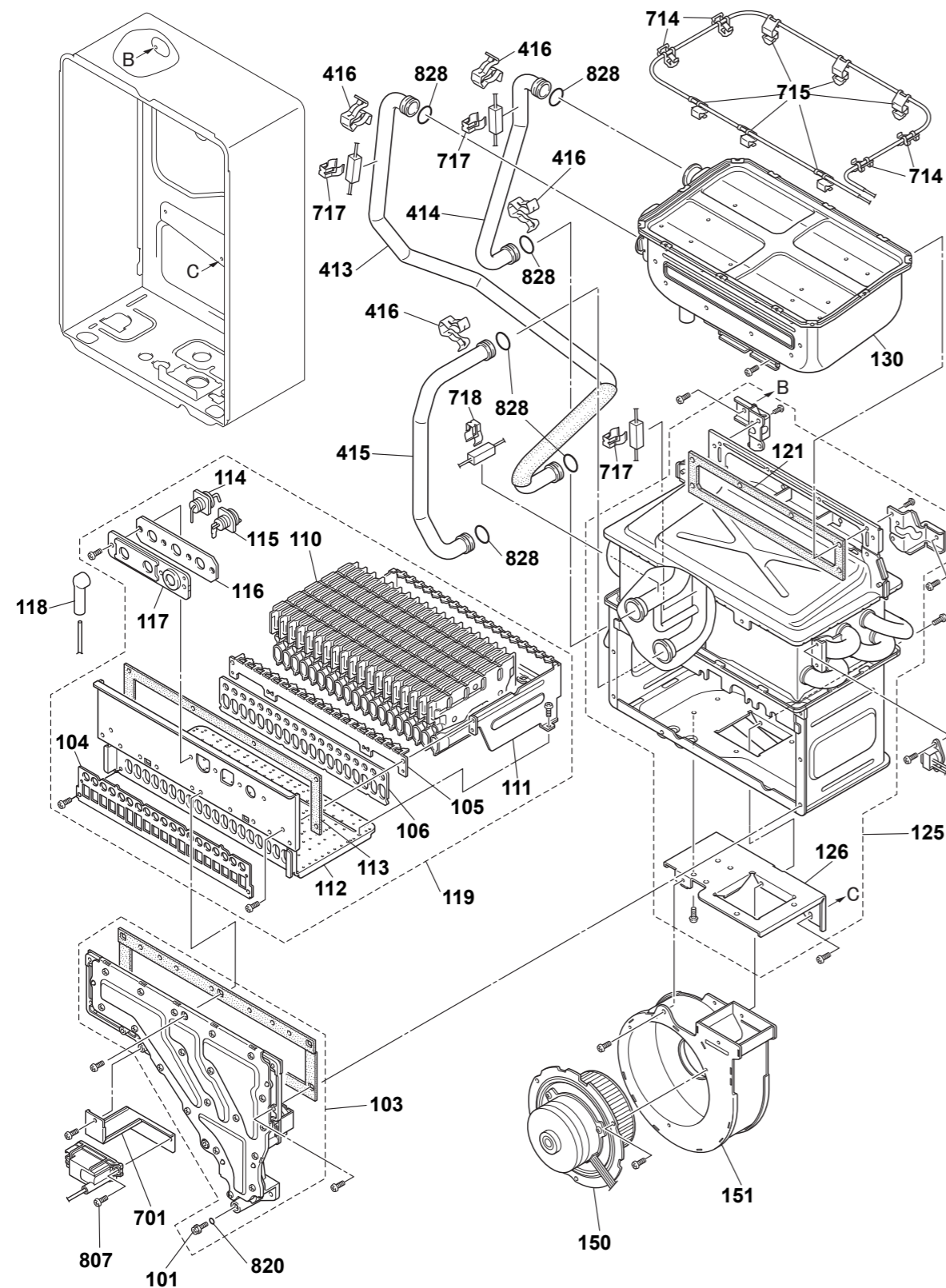


This diagram is provided to assist you to identify parts if replacement is necessary. Contact your place of purchase or the manufacturer to enquire about parts, availability and/or service.



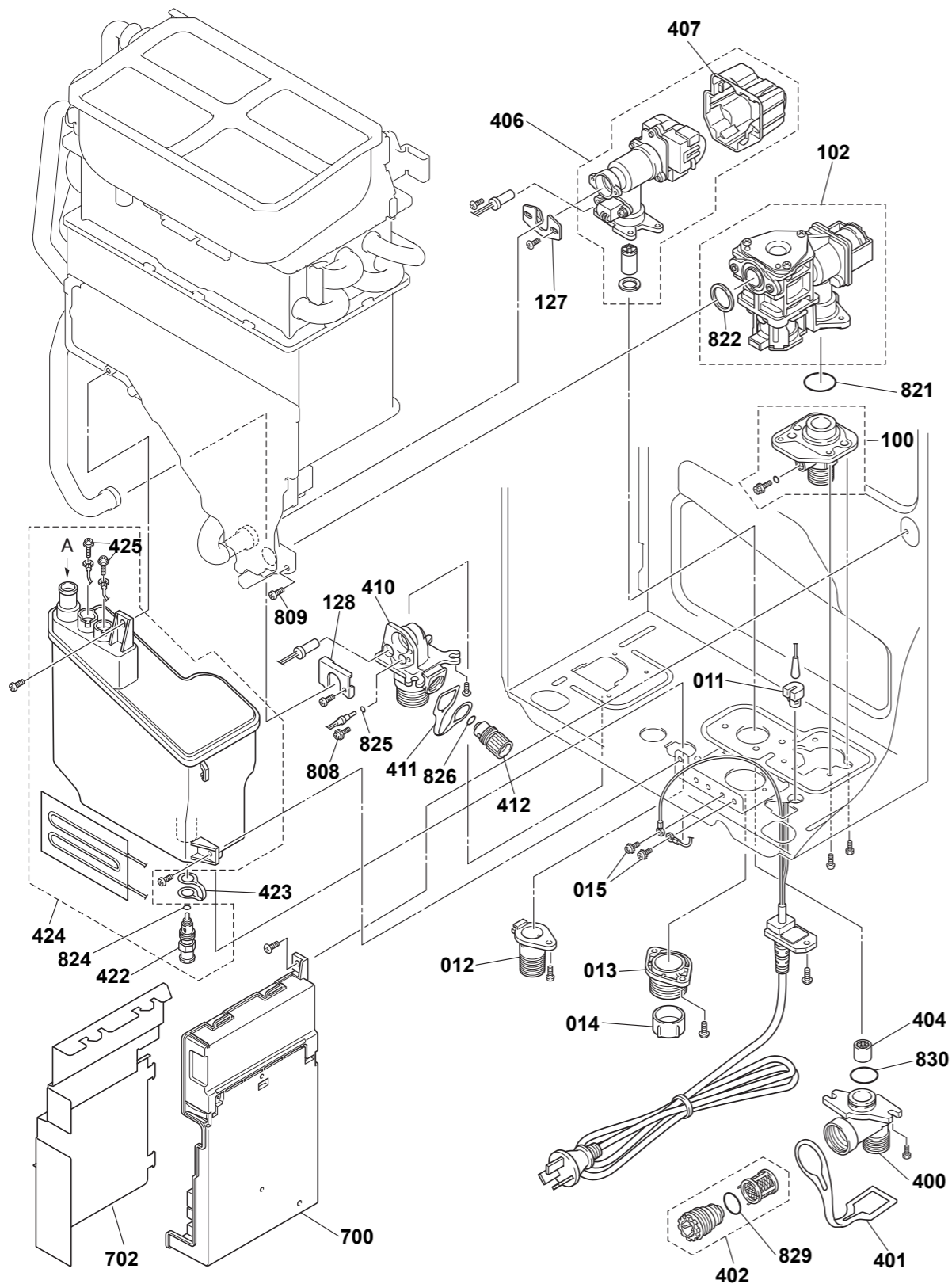
Ref.	Description	Part No.
001	Front panel assembly	40332
002	Wall bracket	3387
004	Bracket main body	40333
005	Front panel packing	2940
006	-	-
007	Earth screw INFINITY	2897
008	Connection reinforcement panel	40335
010	Screw case left	40304
016	Heat exchanger plate	40111
131	Exhaust outlet	40344
132	Exhaust inlet gasket	40345
133	Exhaust outlet gasket	5249
426	Heat exchanger drain tube	40353
427	Pin band	5259

This diagram is provided to assist you to identify parts if replacement is necessary. Contact your place of purchase or the manufacturer to enquire about parts, availability and/or service.



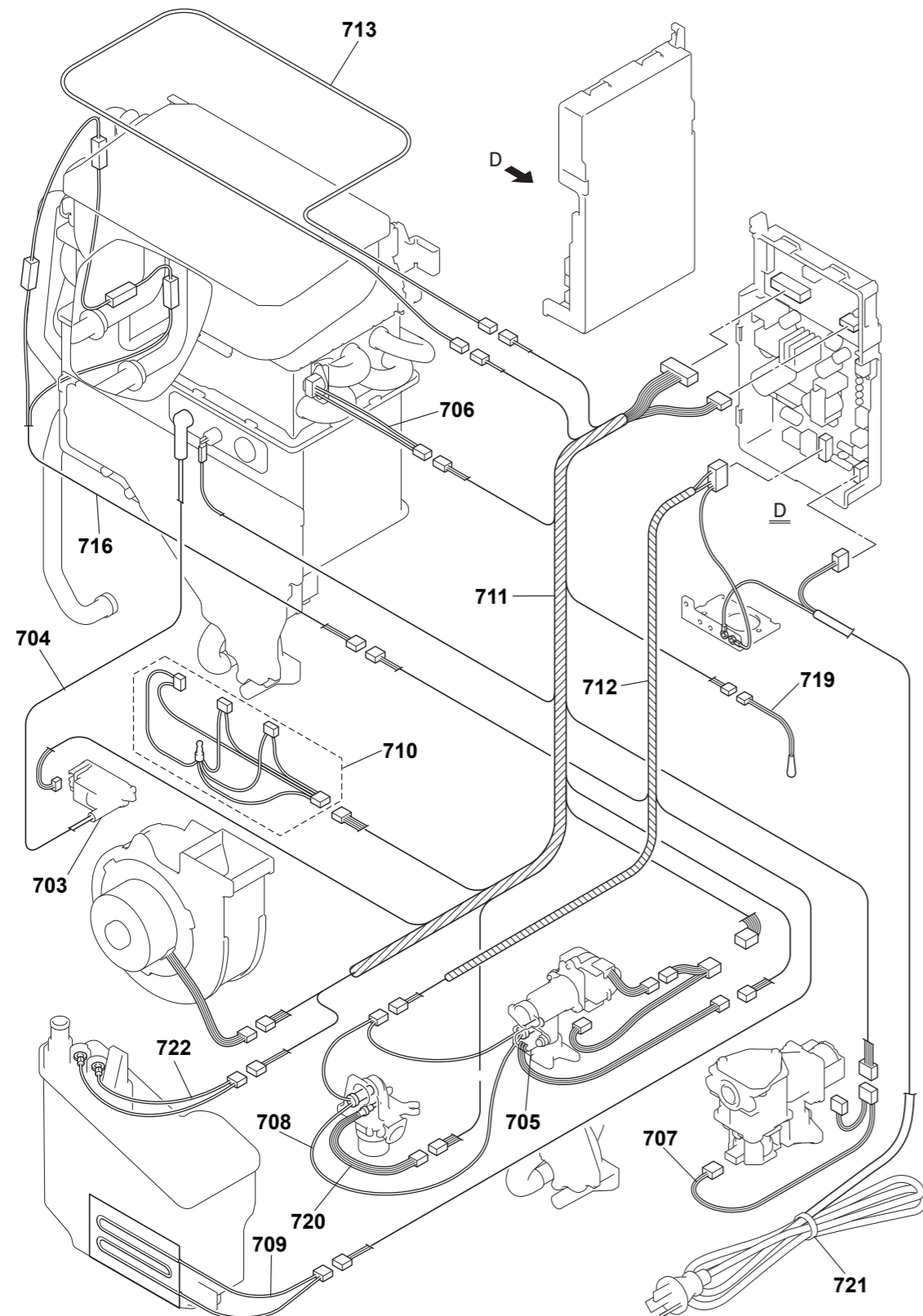
Ref.	Description	Part No.
101	Test point screw	40338
103	Manifold assembly LPG	40114
103	Manifold assembly NG	40115
104	Damper	40120
105	Burner case front - A	40123
106	Burner packing	40126
110	Lean rich burner assembly	40135
111	Burner case rear	40136
112	Burner case front - B	40139
113	Burner gasket	40142
114	Electrode	40145
115	Electrode front	40146
116	Electrode packing	40148
117	Electrode holder	40149
118	Electrode sleeve	3475
119	Burner assembly	40150
121	Heat exchanger packing	40339
125	Heat exchanger assembly	40340
126	Heat exchanger support bracket	40156
130	Heat exchanger assembly - top	40343
150	Fan motor	40162
151	Fan motor casing	40346
413	Hot water connection tube	40349
414	Heat exchanger connection tube	40350
415	Hot water connection	40351
416	Quick clip	40259
701	Ignitor fixing plate	40175
714	Bracket thermal fuse - A	40189
715	Bracket thermal fuse - B	40190
717	Heater clip	2032
718	Heater clip - B	40192
807	Tapping screw	2896
820	O-ring M10B-13-4	40224
828	O-ring 14	

This diagram is provided to assist you to identify parts if replacement is necessary. Contact your place of purchase or the manufacturer to enquire about parts, availability and/or service.



Ref.	Description	Part No.
011	Temperature sensor cover	40109
012	Quick connection assembly	40336
013	Cable connection	3896
014	Cable seal packing	3551
015	Screw earth pole	40316
100	Gas connection	40337
102	Gas control assembly	40113
127	Fixing bracket	40341
128	Heat exchanger outlet bracket	40342
400	Water inlet connection	3484
401	Plug band inlet	2927
402	Incoming water filter	3839
404	Balancer	3487
406	Water servo and sensor	40170
407	Water flow servo cover	40171
410	Hot water outlet 3/4 "	40173
411	Plug band hot water	2926
412	Pressure relief valve	3491
422	Drain valve	5252
423	Condensate plug band	40278
424	Neutraliser assembly	40352
425	Wire fixing screw	5720
700	PCB main assembly	40354
702	PCB cover	40176
808	Thermistor stop screw	3241
809	Screw	2938
821	Gas inlet o-ring	3837
822	Packing	5255
824	O-ring M10B-2-5	1234
825	O-ring M10B-2-4	3832
826	O-ring M10B-2-7	1031
829	O-ring M10B-2-16	1244
830	O-ring M10B-2-18	3627

This diagram is provided to assist you to identify parts if replacement is necessary. Contact your place of purchase or the manufacturer to enquire about parts, availability and/or service.



Ref.	Description	Part No.
703	Igniter assembly	40177
704	HT lead	40178
705	MR sensor	5239
706	Overheat switch	40179
707	Gas control harness	40180
708	Twin thermistor	40355
709	-	-
710	Solenoid harness	40182
711	Sensor harness	40357
712	Power harness	40358
713	Thermal fuse harness	40188
716	Harness antifrost	40359
719	Temperature sensor	40193
720	Twin thermistor	40194
721	Power cord INF	40195
722	Relay harness	40360
-	Remote control lead (pre-wired mini plug) (1 is supplied with each unit—located with guides in a small plastic bag)	40293