

## GENERAL INFO

## INDUSTRIAL STAINLESS STEEL WATER FILTER HOUSING

The Puretec TSI Series stainless steel filter housings offers a range of solutions for your heavy-duty filtration needs. Simple to install and maintain, these housings are ideal for schools, restaurants, farms and industrial use.

These heavy duty housings can be used on cold and hot water lines up to a maximum of 75°C.

The housing can be used in a wide variety of applications and is compatible with a wide range water filter cartridges (sold separately). Select a cartridge that best suits your situation/water source. For cartridge selection advice contact your local Puretec dealer or call our Puretec Customer Service Helpline.

## FEATURES & BENEFITS

- Heavy duty construction - designed for installations in the most rugged conditions.
- 304 stainless steel housing as standard polished internally and externally.
- Quick release clamp for simple cartridge removal.
- Can withstand temperatures up to a maximum of 75°C.
- Ideal for removing sediment or taste and odour (depending on cartridge installed).
- Available in a range of sizes to suit your application needs.



TSI-151

10", ½" connection  
Stainless Steel Housing



TSI-201

10", ¾" connection  
Stainless Steel Housing



TSI-251

10" x 2.5", 1" connection,  
Stainless Steel Housing



TSI-252

20" x 2.5", 1" connection,  
Stainless Steel Housing



TSI-25MP1

10" x 4.5", 1" connection,  
MaxiPlus™ Stainless Steel Housing



TSI-25MP2

20" x 4.5", 1" connection,  
MaxiPlus™ Stainless Steel Housing

## CARTRIDGE SUGGESTIONS (SOLD SEPARATELY)

Model Code:	Dirt, Rust, Sediment (Mains Water)	Taste, Odour Removal (Mains Water)	Dirt, Rust, Sediment (Rainwater)	Taste, Odour Removal (Rainwater)
<b>TSI-151</b>				
<b>TSI-201</b>	PX051	GC051	PL051	DP101
<b>TSI-251</b>				
<b>TSI-252</b>	PX052	GC052	PL052	DP102
<b>TSI-25MP1</b>	PX05MP1	CB10MP1	PL05MP1	DP10MP1
<b>TSI-25MP2</b>	PX05MP2	CB10MP2	PL05MP2	DP10MP2

## FILTER CARTRIDGES NOT INCLUDED

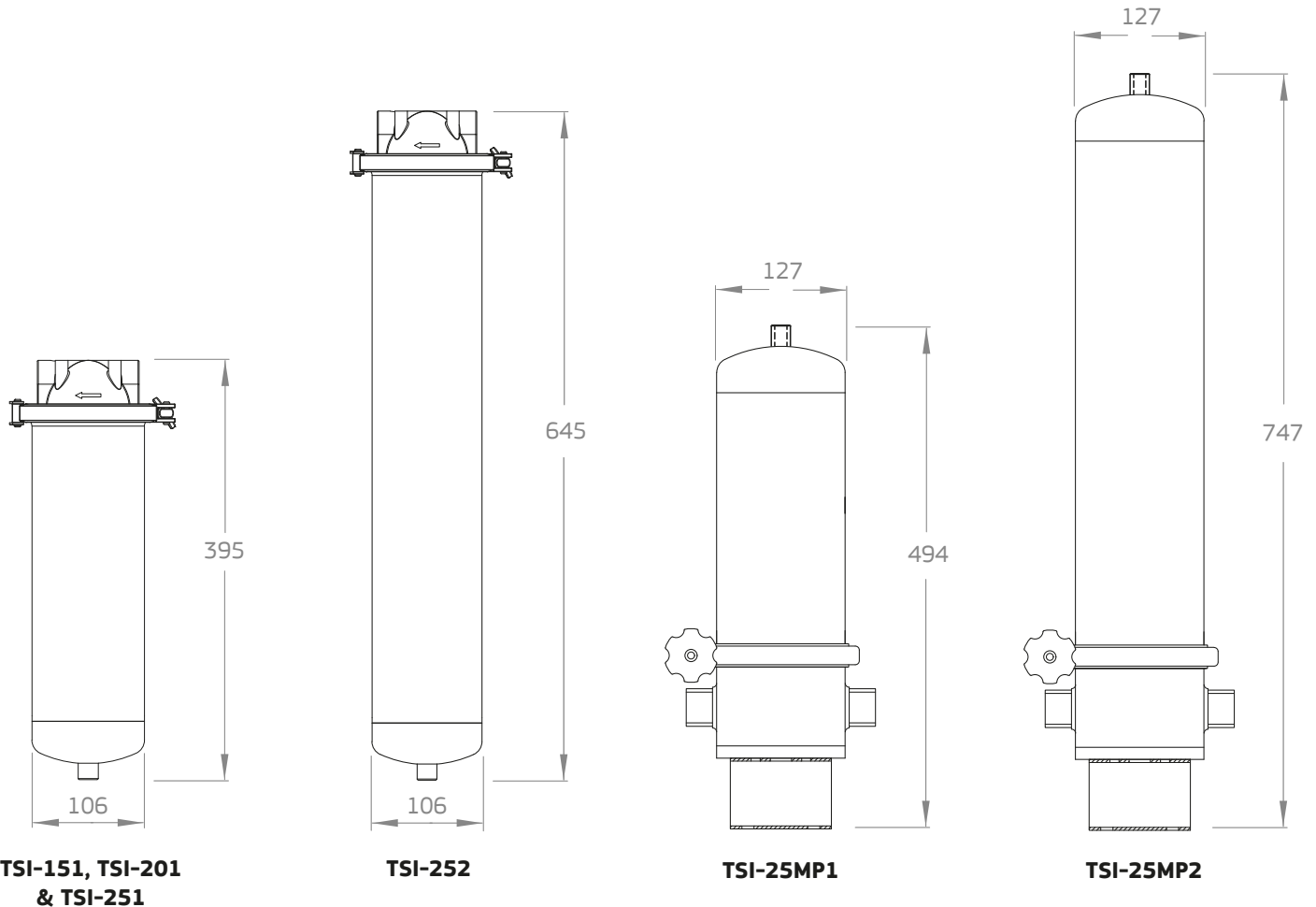
For more information, please visit our website [puretegroup.com](http://puretegroup.com), email us at [sales@puretegroup.com](mailto:sales@puretegroup.com) or call us at 1300 140 140 (AU) 0800 130 140 (NZ).

## TECHNICAL INFORMATION

Ordering Code:	TSI-151	TSI-201	TSI-251	TSI-252	TSI-25MP1	TSI-25MP2
Material of Construction:	304 Stainless Steel					
Cartridge Size:	2.5" x 10"	2.5" x 10"	2.5" x 10"	2.5" x 20"	4.5" x 10"	4.5" x 20"
Flow*:	19 Lpm	19 Lpm	19 Lpm	38 Lpm	30 Lpm	60 Lpm
Inlet/Outlet Connection:	½" BSPT	¾" BSPT	1" BSPT	1" BSPT	1" BSPT	1" BSPT
Vent Connection:	¼" BSPT					
Drain Connection:	¼" BSPT					
Operating Pressure Min/Max:	200 - 1034 kPa					
Operating Temperature Min/Max:	0 - 75°C (protect from freezing)					
Warranty:	1 year <sup>^</sup>					

<sup>^</sup>Warranty is 1 year parts and labour, plus 1 year parts only. \*Flow rate is dependent on filter cartridge used. Application should be designed according to filter cartridge capabilities.

## PRODUCT DIMENSIONS Measurements in Millimeters (mm)



### Note:

1. No claims can be made based on the specifications and images in this document. The design, technology, colours, features and prices are subject to change.
2. This document and all its contents are copyright protected. All rights are reserved, particularly alteration, translation and reproduction using electronic systems.
3. <sup>^</sup>Warranties in this document cover parts for the period stated and include cover for parts and labour for the first year where applicable, subject to approval. Our Water Filtration Specialists can provide you with advice to suit your needs.
4. For warm or hot water applications, we strongly recommend to test the chloride level in the water source & confirm suitability with the Puretec team.