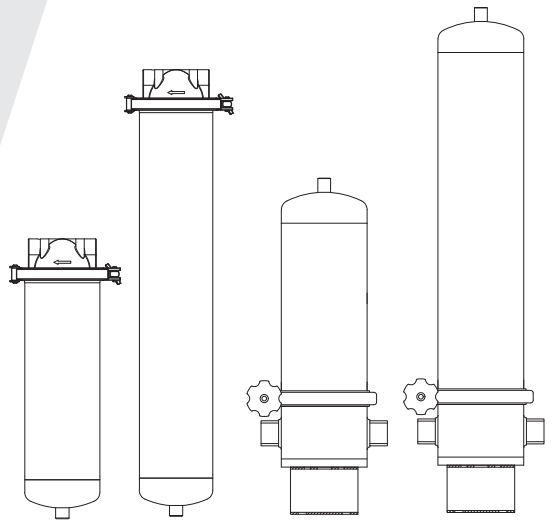




**Puretec**<sup>®</sup>  
PERFECTING WATER



# User Guide

## TSI / TSI-MP Series

Stainless Steel Water Filtration Housings

## What's Inside

Introduction.....	2
Guidelines and Warnings.....	3
Fig. 1 Diagram TSI Models.....	4
Fig. 2 Diagram TSI-MP Models.....	5
Fig. 3 Dimensions TSI Models.....	6
Fig. 4 Dimensions TSI-MP Models.....	7
Model Information.....	8
Positioning Your Filter.....	10
Installation Procedure.....	10
Fig. 5 & 6 Typical Installation.....	11
Fig. 7 Cutaway Diagrams.....	12
Replacement Guide.....	13
Cartridge Installation / Replacement.....	13
Warranty.....	15

## Puretec Customer Service

Thank you for purchasing a Puretec water filter housing. Your housing is a proven performer manufactured from only quality materials and components and will give years of 'spring fresh' water free of impurities if maintained properly.

The housing can be used in a wide variety of applications and is compatible with a wide range water filter cartridges (sold separately). Select a cartridge that best suits your situation/water source. For cartridge selection advice contact your local Puretec dealer or call our Puretec Customer Service Helpline.

With a sediment filter some features include:

- Supply clean water to kitchen, bathroom and laundry.
- Extends the life of appliances by removing silt, rust etc protecting hot water systems, washing machines, dishwashers, solenoid garden valves, tap washers, ceramic disc mixer taps and thermostatic valves.
- Minimises build-up in pipework and reduces repair costs.

With a taste and odour removal filter you will:

- Provide healthy, clean and pure water for all household drinking, cooking and showering needs.

- Have better tasting beverages, tea, coffee, drinking water and ice.
- Safe water to drink, free from harmful chemicals - also safe for baby formulas.
- Chemicals absorbed by the skin can be removed for use in the shower.

The Puretec filter housing cartridges need replacing regularly to maintain optimum performance. Replace cartridges when water flow is reduced, taste or odour returns to water (carbon cartridges only) or every 6 to 12 months. For cartridge replacements contact your nearest Puretec stockist.

Customer Service Helpline **1300 140 140** (Australia) **0800 130 140** (New Zealand).

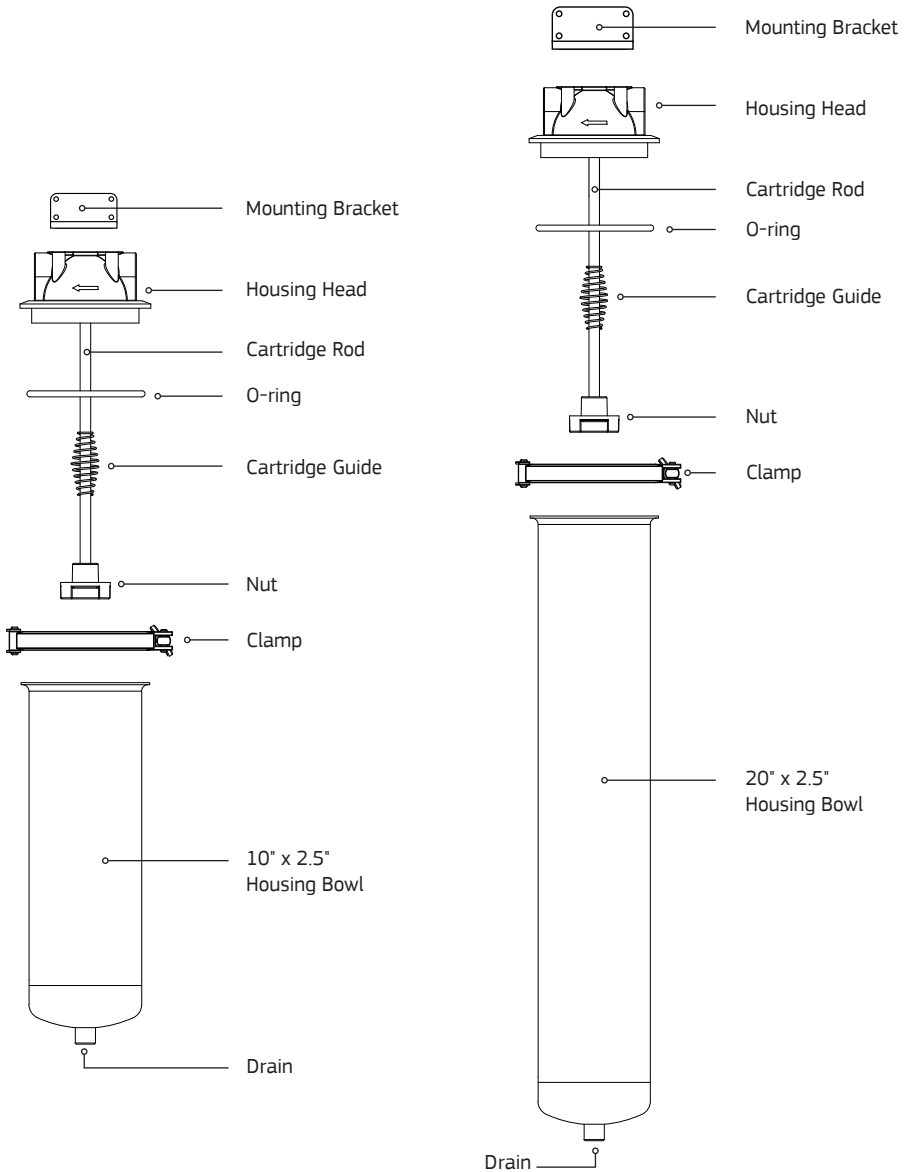
### Guidelines and Warnings

- If pressure exceeds max pressure, an approved pressure limiting device needs to be fitted. If water hammer is present, fit a hammer arrestor close to the source of the hammer. **Note:** Check local plumbing regulations and any installed plumbing fixtures for specific kPa limits required below the stated Max Pressure of this product .
- Suitable for use on cold and hot water lines up to a maximum of 75°C. Protect the housing from freezing.
- For point of entry installations an approved dual check backflow prevention device must be fitted in accordance with national plumbing product codes.
- Do not use with water that is microbiologically unsafe or with water of unknown quality without adequate disinfection.
- This product must be installed in accordance with local plumbing regulations by a licensed plumber.

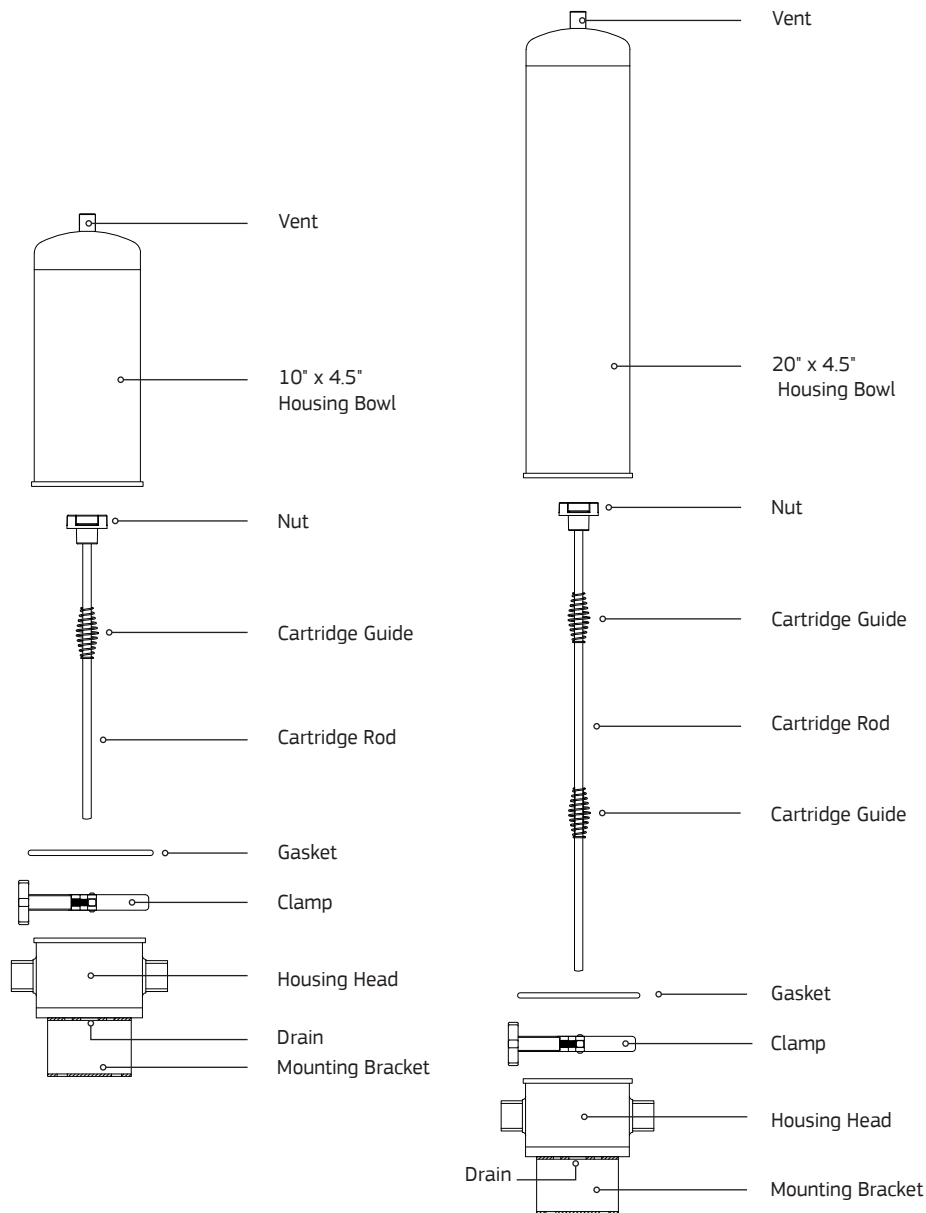
**Installation Note:** A water filter system/tap, like any product, has a limited life and may eventually fail. Also sometimes failure happens early due to unforeseen circumstances. To avoid possible property damage, this product should be regularly examined for leakage and/or deterioration and replaced when necessary. A drain pan, plumbed to an appropriate drain or outfitted with a leak detector, should be used in those applications where any leakage could cause property damage, and/or the water supply should be turned off if no one is home/present.

**INSTALLATION MUST BE COMPLETED BY A LICENCED PLUMBER. FAULTY OPERATION DUE TO UNQUALIFIED PERSONS WILL RESULT IN VOIDED WARRANTY COVERAGE.**

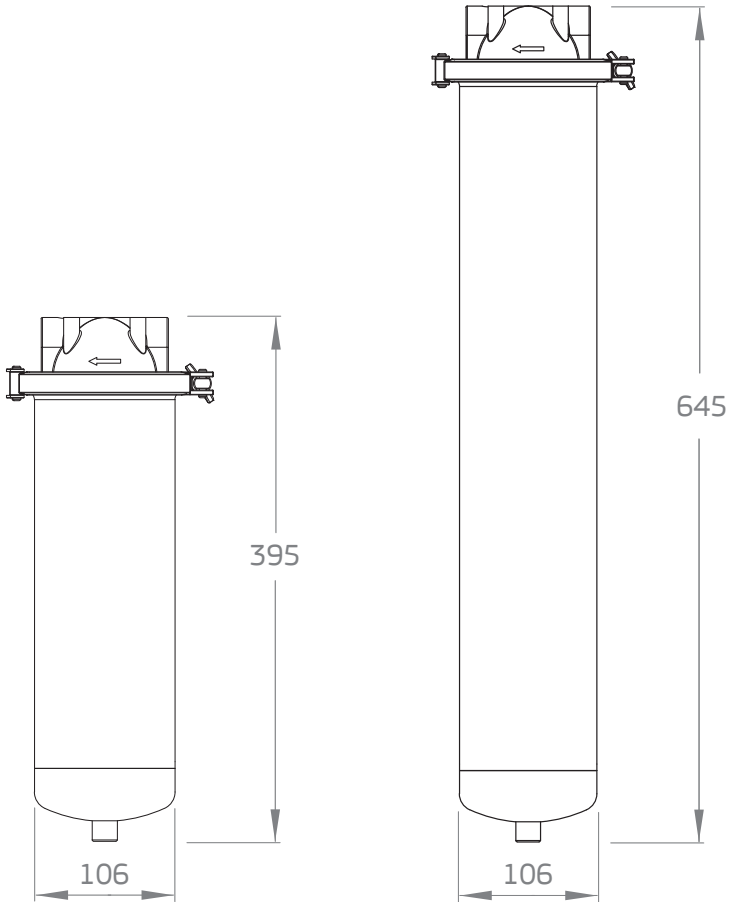
**Fig. 1 - Diagram - TSI Models**



**Fig. 2 - Diagram - TSI-MP Models**



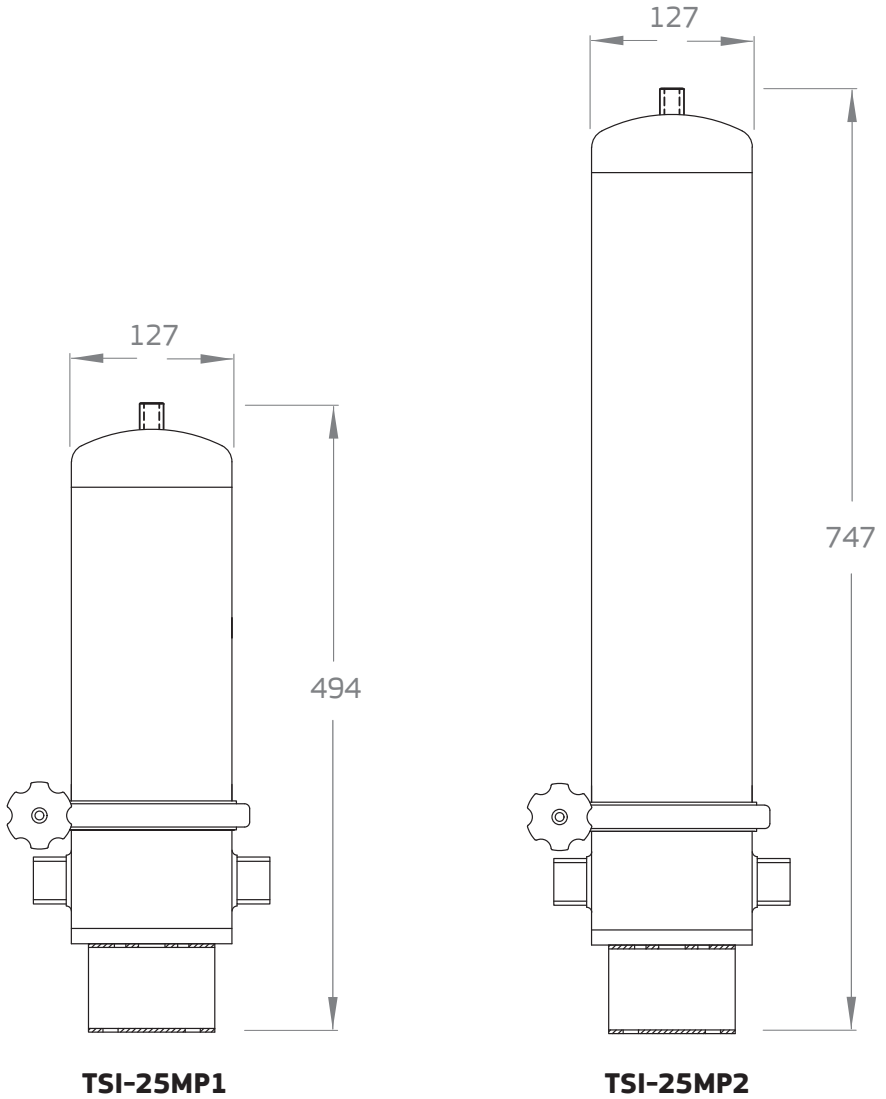
**Fig. 3 - Dimensions - TSI Models**



**TSI-151, TSI-201  
& TSI-251**

**TSI-252**

**Fig. 4 - Dimensions - TSI-MP Models**



## TSI 10" Model Information

### Specifications

Model:	<b>TSI-151</b>	<b>TSI-201</b>	<b>TSI-251</b>
Operating Pressure Min/Max:	200 - 1034 kPa		
Operating Temperature Min/Max:	0 - 75 °C (protect from freezing)		
Inlet/Outlet Connection:	½" BSPT	¾" BSPT	1" BSPT
Vent Connection:	¼" BSPT		
Drain Connection:	¼" BSPT		
Material:	304		
Dimensions:	106 (W) x 395 (H) mm		
Cartridge Size:	2.5" x 10"		

## TSI 20" Model Information

### Specifications

Model:	<b>TSI-252</b>
Operating Pressure Min/Max:	200 - 1034 kPa
Operating Temperature Min/Max:	0 - 75 °C (protect from freezing)
Inlet/Outlet Connection:	1" BSPT
Vent Connection:	¼" BSPT
Drain Connection:	¼" BSPT
Material:	304
Dimensions:	106 (W) x 645 (H) mm
Cartridge Size:	2.5" x 20"

### Replacement Parts

ORDER CODE	DESCRIPTION
TSI-CLMP	Replacement clamp, suits TSI-151, TSI-201, TSI-251 and TSI-252
TSI-OR	Replacement O-ring, suits TSI-151, TSI-201, TSI-251 and TSI-252



## TSI-MP 10" Model Information

### Specifications

Model:	<b>TSI-25MP1</b>
Operating Pressure Min/Max:	200 - 1034 kPa
Operating Temperature Min/Max:	0 - 75 °C (protect from freezing)
Inlet/Outlet Connection:	1" BSPT
Vent Connection:	¼" BSPT
Drain Connection:	¼" BSPT
Material:	304
Dimensions:	127 (W) x 494 (H) mm
Cartridge Size:	4.5" x 10"

## TSI-MP 20" Model Information

### Specifications

Model:	<b>TSI-25MP2</b>
Operating Pressure Min/Max:	200 - 1034 kPa
Operating Temperature Min/Max:	0 - 75 °C (protect from freezing)
Inlet/Outlet Connection:	1" BSPT
Vent Connection:	¼" BSPT
Drain Connection:	¼" BSPT
Material:	304
Dimensions:	127 (W) x 747 (H) mm
Cartridge Size:	4.5" x 20"

### Replacement Parts

<b>ORDER CODE</b>	<b>DESCRIPTION</b>
TSIMP-CLMP	Replacement clamp, suits TSI-25MP1 and TSI-25MP2
TSIMP-OR	Replacement gasket, suits TSI-25MP1 and TSI-25MP2

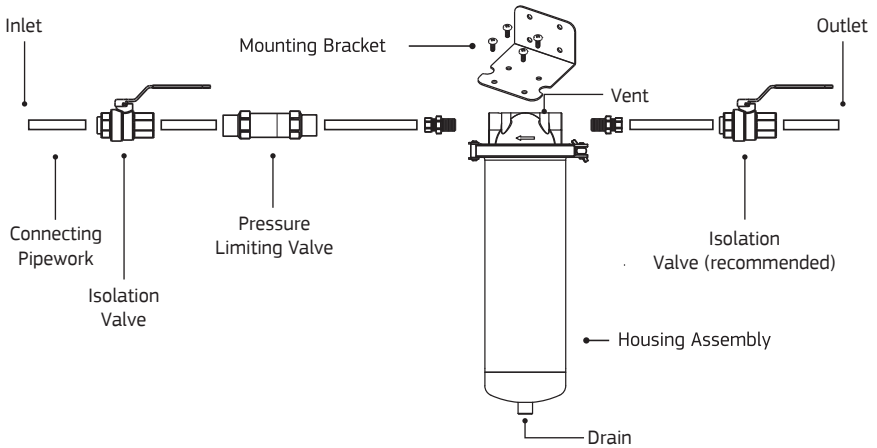
## Positioning Your Filter

Choose a location where any water spillage will not cause damage. If a cupboard is chosen care needs to be taken in case of water spillage or flooding. Make sure mounting position is solid so that the filter housing stays in position when changing filters. An isolation valve may be installed immediately prior to the filter to isolate the filter for changing the cartridge.

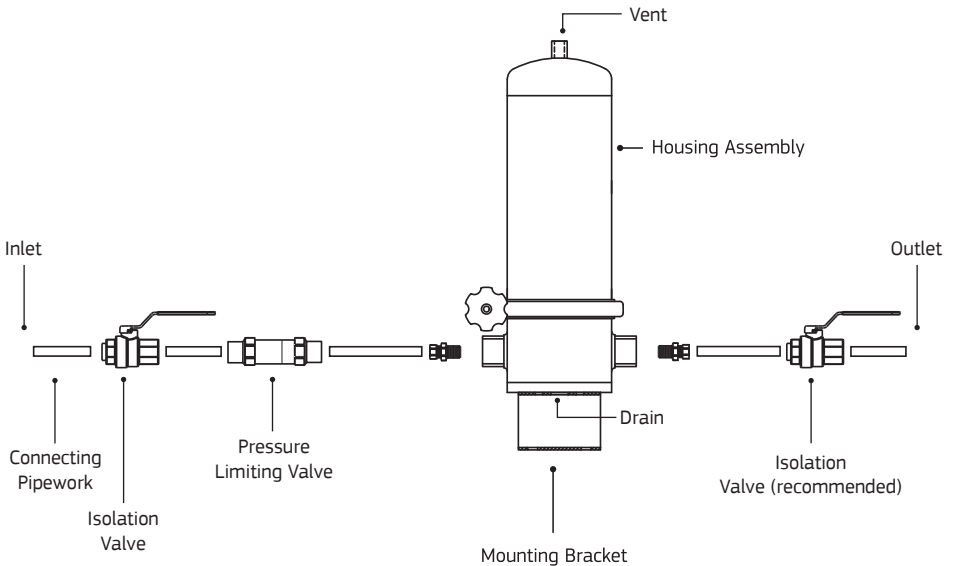
## Installation Procedure

1. Isolate water supply and relieve pressure by opening a downstream tap.
2. Cut pipe to suit length of required valve and housing installation.
3. Use approved brass, galv/poly plumbing fittings to suit existing pipework. The female threads on the housing will receive tapered male threads. Thread into housing head carefully and tighten firmly.
5. Securely fix the mounting bracket and pipework with suitable clips. Allow enough clearance under (above for TSI-MP models) the housing bowl for filter changes.
6. Flush debris from pipework.
7. Install filter cartridge as per cartridge replacement instructions.

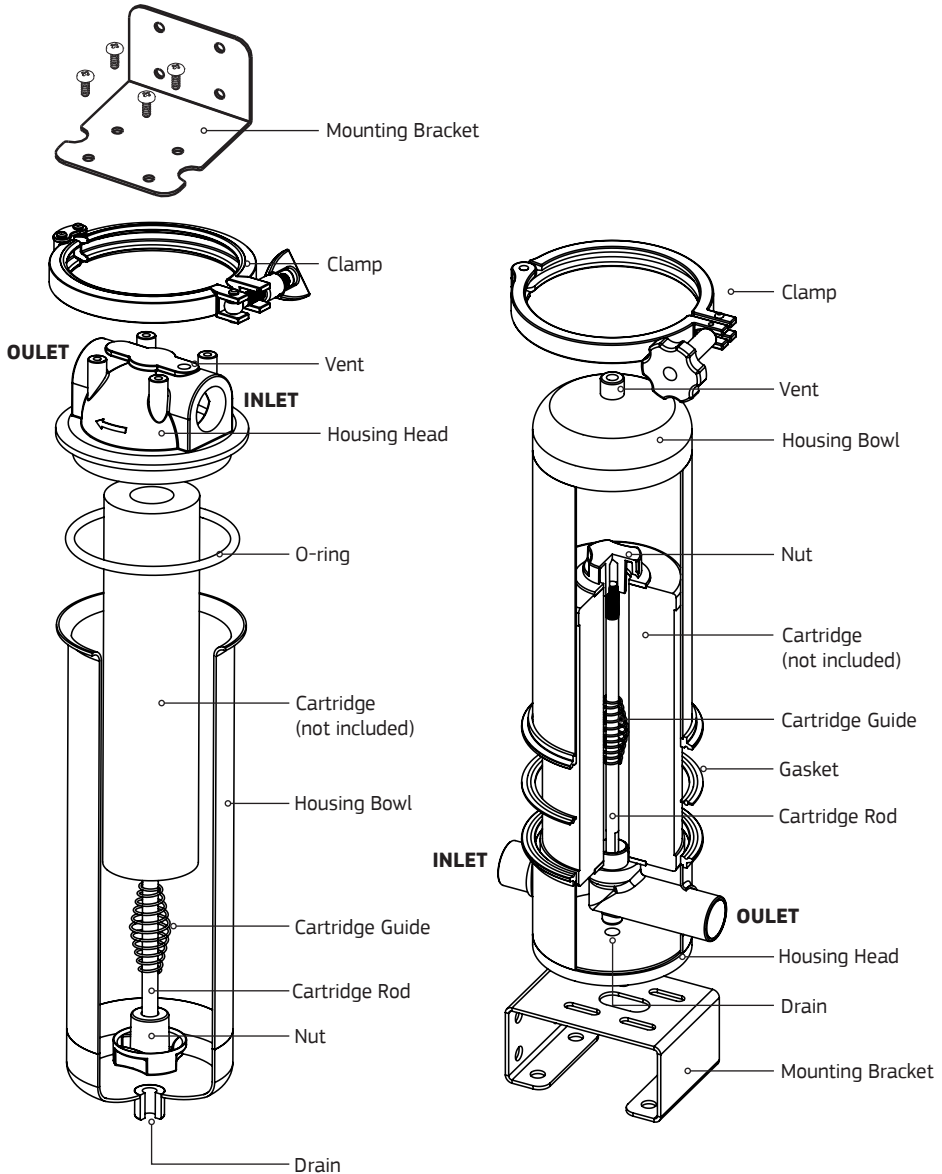
**Fig. 5 - Typical Installation - TSI Models**



**Fig. 6 - Typical Installation - TSI-MP Models**



**Fig. 7 - Cutaway Diagrams**



## Replacement Guide

You can obtain replacements from your local Puretec dealer. To maintain performance, warranty and standards use genuine Puretec replacements.

To maintain the high quality of the purified water the cartridge need changing every 6 - 12 months, dependent on water quality and usage. You can obtain replacement cartridges from your local Puretec stockist. To maintain performance and warranty use genuine Puretec replacements.

The following tables provide a guide to what filter cartridge can be used in your housing:

### TSI Housings

Model Code	Dirt, Rust, Sediment (Mains Water)	Taste, Odour Removal (Mains Water)	Dirt, Rust, Sediment (Rainwater)	Taste, Odour Removal (Rainwater)
TSI-151 TSI-201 TSI-251	PX051	GC051	PL051	DP101
TSI-252	PX052	GC202	PL052	DP102

### TSI-MP Housings

Model Code	Dirt, Rust, Sediment (Mains Water)	Taste, Odour Removal (Mains Water)	Dirt, Rust, Sediment (Rainwater)	Taste, Odour Removal (Rainwater)
TSI-25MP1	PX05MP1	CB10MP1	PL05MP1	DP10MP1
TSI-25MP2	PX05MP2	CB10MP2	PL05MP2	DP10MP2

## Cartridge Installation / Replacement

To change the filter cartridge please adhere to the following procedure:

- 1 Turn water supply off and relieve pressure by opening a downstream tap or opening up the vent valve.

**Caution:** Never remove or loosen closure bolts before relieving the pressure. Failing to release the pressure could cause personal injury or damage to equipment.

- 2 Loosen the key and remove the clamp.

- 3 Remove the housing bowl.
- 4 Unscrew the nut on the cartridge rod and remove the old cartridge.
- 3 Clean bowl with soap and warm water and rinse thoroughly. Check O-ring/gasket for damage and if there is any, replace. We recommend replacing O-rings every 3 - 5 years to ensure a water tight seal, preventing any leaks.
- 4 Check O-ring/gasket lubrication and if necessary apply a light coating of food grade silicone lubricant (or similar).
- 5 Remove all packaging from new filter cartridge and insert onto the cartridge rod, making sure cartridge is properly seated over rod. Remember to record the model no. of the cartridge you use.
- 6 Screw the cartridge rod nut back into place to secure the cartridge.
- 7 Line up the housing bowl to the housing head ensuring it is seated correctly on the O-ring/gasket and secure with the clamp. Ensure that the clamp completely seals the top lip **HAND TIGHTEN** the clamp key leaving approx 5mm between the sides of the clamp. **DO NOT OVER-TIGHTEN** as a damaged O-ring/gasket will not seal. Use a rubber mallet if needed.
- 8 Close any drain ports and open the vent valve.
- 9 Slowly open the inlet valve and allow the air in the housing to expel through the vent valve.
- 10 When water starts to pass out of the vent valve, close the vent valve and check for leaks. Open the outlet valve.
- 11 Allow water to run for 2 minutes to flush the system.
- 12 Close down stream tap and check for leaks. Flush system for 10 minutes after any period of non-use more than 2 days. For a period of non-use of 2 weeks or more, it may be necessary to replace the cartridge.

## Notes

Puretec water care products are designed, manufactured and supported by Puretec Pty Ltd the name you can trust for viable and proven water solutions. The complete range of Puretec products are developed, refined, made to meet and exceed stringent specifications for the worldwide market.

Important: Sales of products are subject to our Terms and Conditions which are available upon request. All specifications, information and photos are a guide only and are subject to change without notice. Please ring to confirm details. Warning: For correct operation of this appliance it is essential to observe manufacturer's instructions.

## Warranty

Any claim under this warranty must be made within 10 years of the date of purchase of the product. This product is warranted to be free of defect of material and workmanship for 10 years from date of purchase. 10 year warranty is 1 year parts and labour, plus 9 years parts only.

To make a claim under the warranty, take the product and proof of purchase to place where you purchased the product, and they will lodge a Warranty Request with Puretec.

Puretec will pay your reasonable, direct expenses of claiming under this warranty. You may submit details and proof of your expense claim to place of purchase for consideration.

The warranty only applies if the product was used and/or installed in accordance with the user guide and/or installation instructions. This warranty is given in lieu of all other express or implied warranties and manufacturer shall in no circumstance be held liable for damages consequential or otherwise or delays caused or faulty manufacturing except as excluded by law.

Applicable to all above, is that the Warranties need to be approved by Puretec to ensure product was not incorrectly used, installed or claimed. False and incorrect claims will be pursued at Puretec's discretion, including chargeable inspection and labour costs incurred.

All installation and service work should be completed by qualified tradespeople. Faulty operation due to unqualified persons will result in voided warranty coverage.

Use PTFE thread seal tape on all connections. Use of liquid pipe sealant/dope will void warranty.

## Warranty/Australia

This warranty is given by Puretec Pty Ltd, ABN 44 164 806 688, 37-43 Brodie Road, Lonsdale SA 5160, telephone no. 1300 140 140 and email at sales@puretec.com.au.

This warranty is provided in addition to other rights and remedies you have under law: Our goods come with guarantees which cannot be excluded under the Australian Consumer Law. You are entitled to replacement or refund for a major failure and to compensation for other reasonably foreseeable loss or damage. You are also entitled to have the goods repaired or replaced if the goods fail to be of acceptable quality and the failure does not amount to a major failure.

## Warranty/New Zealand

This warranty is given by Puretec Ltd, Reg. No 4464398, PO Box 875 Cambridge 3450 NZ, telephone no. 0800 130 140 and email at sales@puretec.co.nz.

This warranty is provided in addition to other rights and remedies you have under law: Our goods come with guarantees which cannot be excluded under the Consumer Guarantees Act. You are entitled to replacement or refund for a major failure and to compensation for other reasonably foreseeable loss or damage. You are also entitled to have the goods repaired or replaced if the goods fail to be of acceptable quality and the failure does not amount to a major failure.



**Puretec**<sup>®</sup>  
PERFECTING WATER

**AUSTRALIA**

P 1300 140 140

E [sales@puretec.com.au](mailto:sales@puretec.com.au)

W [puretec.com.au](http://puretec.com.au)

**NEW ZEALAND**

P 0800 130 140

E [sales@puretec.co.nz](mailto:sales@puretec.co.nz)

W [puretec.co.nz](http://puretec.co.nz)