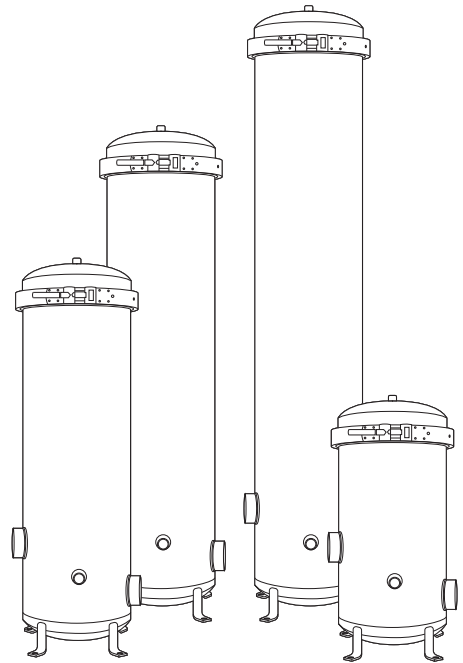




Puretec[®]
PERFECTING WATER



User Guide

UFC Series

Multicartridge Stainless Steel Water Filter Housing

What's Inside

Installation Record	2
Puretec Customer Service	3
Introduction	3
Preparing Your System	3
Fig. 1 - Exploded Diagram	4
Fig. 2 & 3 - Dimensions	5
Individual Model Specifications	7
Fig. 4 - Ideal Installation	11
Before Installation	12
Installation	13
Cartridge Filter Replacement	14
Warranty	16

Installation Record

Product Information	
Distributor:	
Installer:	
Phone:	
Date Installed:	

Puretec Customer Service

Thank you for purchasing a Puretec UFC Series stainless steel water filter housing. Your system is a proven performer manufactured from quality materials and components and will give years of heavy-duty sediment filtration, if maintained and installed properly (refer installation requirements).

Introduction

The Puretec UFC Series multicartridge stainless steel filter housings offers a variety of solution for your large scale, heavy-duty filtration needs. Simple to install and maintain, these housings are ideal for schools, restaurants, farms, institutions and industrial use.

The Puretec UFC Series is compatible with a complete range of filter cartridges adding to their versatility.

Preparing Your System

Puretec systems are designed to run economically for many years but this is dependent on the initial installation and periodical maintenance.

Please read all instructions carefully as failures caused by incorrect installation or operation are not covered by warranty.

On removing your UFC housing from its carton you should check all the components to ensure all are present and have not been damaged in transportation. See individual model specification pages for full list of inclusions. Remove all the packing materials prior to use. As a responsible manufacturer we care about the environment. We urge you to follow the correct disposal procedure for your product and packaging materials. You must dispose of this product and its packaging according to local laws and regulations.

Fig. 1 - Exploded Diagram

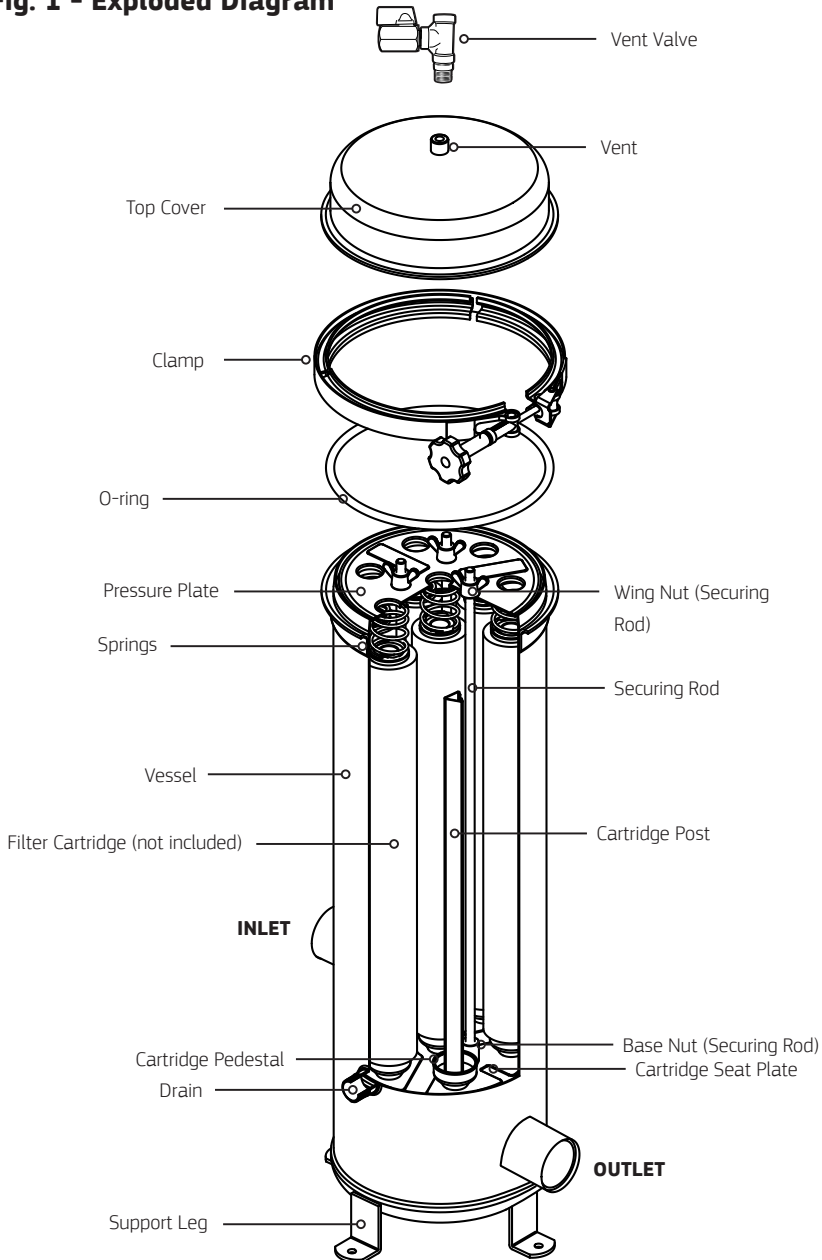


Fig. 2 - Dimensions

(UFC714C, UFC716C & UFC726C)

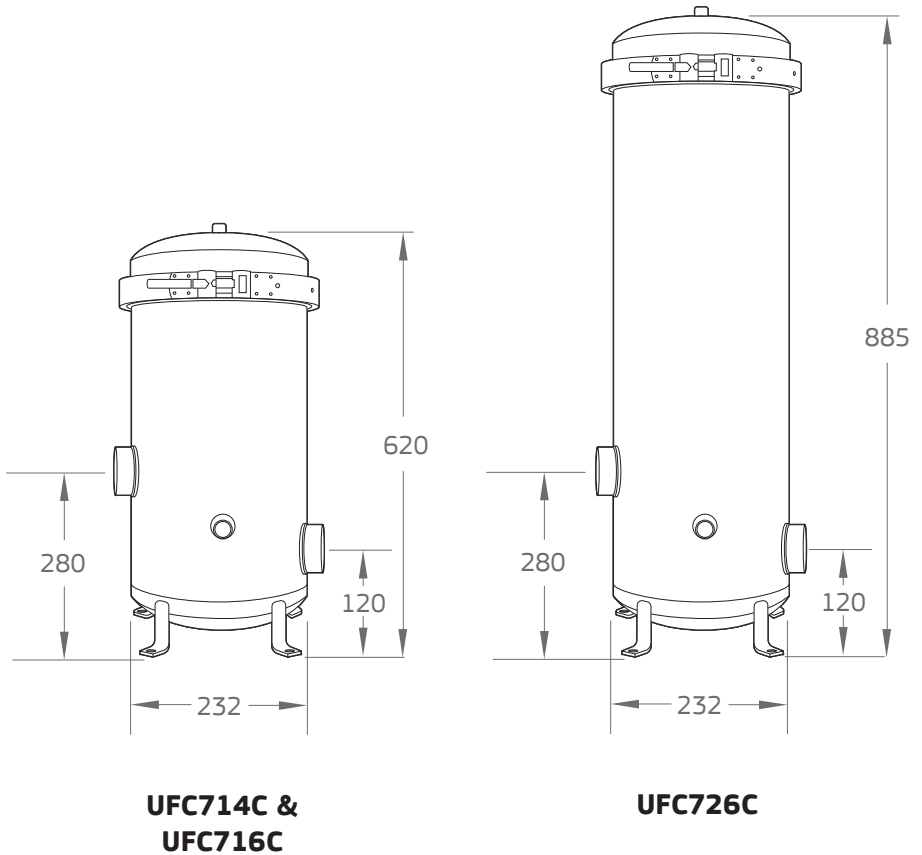
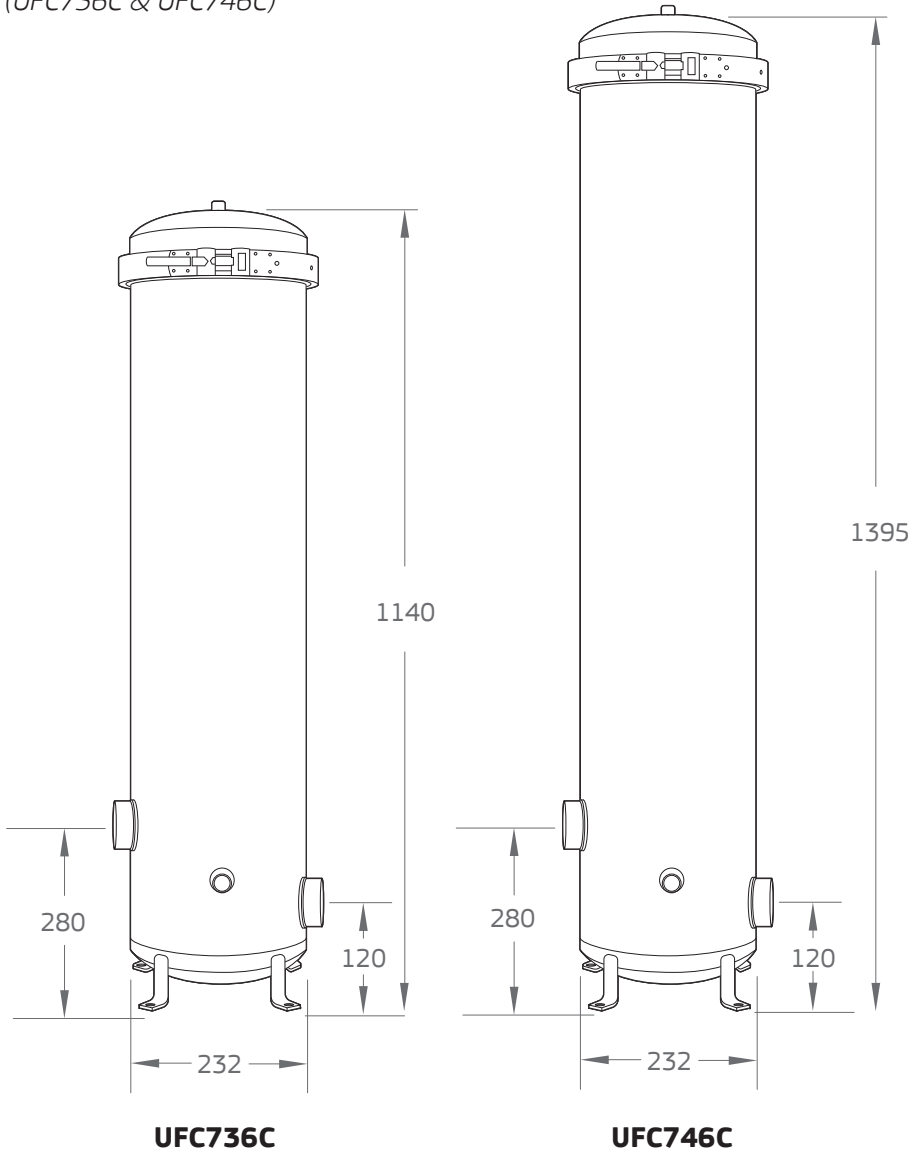


Fig. 3 - Dimensions
(UFC736C & UFC746C)



UFC714C & UFC716C

Model:	UFC714C	UFC716C
Maximum Operation Pressure:	1034 kPa	
Operating Temperature Min/Max:	4 - 75°C (protect from freezing)	
Connection Size:	2" BSPM	
Cartridge Size:	2.5" x 10"	
Cartridge Capacity:	7 x 10" cartridges	
Stainless Steel Grade:	304	316
Weight:	21 kg	
Volume:	23 L	
Flow:	7 m3/hr (116 Lpm)	

REPLACEMENT PARTS

UFC-SPCAP	Top Cover (top cap)
UFC-SPCMP	Clamp
UFC-SPORR	O-ring, EPDM
UFC-SPORV	O-ring, Viton (optional)
UFC-SPSPG	Spring

INCLUSIONS *(pre-assembled)*

Stainless Steel Filter Housing (Vessel)	1
Top Cover	1
Clamp	1
O-ring	1
Cartridge Post Assemblies & Springs	7
Pressure Plate	1
Vent Valve	1
User Guide	1

UFC726C

Maximum Operation Pressure:	1034 kPa
Operating Temperature Min/Max:	4 - 75°C (protect from freezing)
Connection Size:	2" BSPM
Cartridge Size:	2.5" x 20"
Cartridge Capacity:	7 x 20" cartridges
Weight:	25 kg
Volume:	34 L
Flow:	14 m ³ /hr (233 Lpm)

REPLACEMENT PARTS

UFC-SPCAP	Top Cover (top cap)
UFC-SPCMP	Clamp
UFC-SPORR	O-ring, EPDM
UFC-SPORV	O-ring, Viton (optional)
UFC-SPSPG	Spring

INCLUSIONS (*pre-assembled*)

Stainless Steel Filter Housing (Vessel)	1
Top Cover	1
Clamp	1
O-ring	1
Cartridge Post Assemblies & Springs	7
Pressure Plate	1
Vent Valve	1
User Guide	1

UFC736C

Maximum Operation Pressure:	1034 kPa
Operating Temperature Min/Max:	4 - 75°C (protect from freezing)
Connection Size:	2" BSPM
Cartridge Size:	2.5" x 30"
Cartridge Capacity:	7 x 30" cartridges
Weight:	28 kg
Volume:	45 L
Flow:	21 m ³ /hr (350 Lpm)

REPLACEMENT PARTS

UFC-SPCAP	Top Cover (top cap)
UFC-SPCMP	Clamp
UFC-SPORR	O-ring, EPDM
UFC-SPORV	O-ring, Viton (optional)
UFC-SPSPG	Spring

INCLUSIONS *(pre-assembled)*

Stainless Steel Filter Housing (Vessel)	1
Top Cover	1
Clamp	1
O-ring	1
Cartridge Post Assemblies & Springs	7
Pressure Plate	1
Vent Valve	1
User Guide	1

UFC746C

Maximum Operation Pressure:	1034 kPa
Operating Temperature Min/Max:	4 - 75°C (protect from freezing)
Connection Size:	2" BSPM
Cartridge Size:	2.5" x 40"
Cartridge Capacity:	7 x 40" cartridges
Weight:	31 kg
Volume:	55 L
Flow:	28 m ³ /hr (466 Lpm)

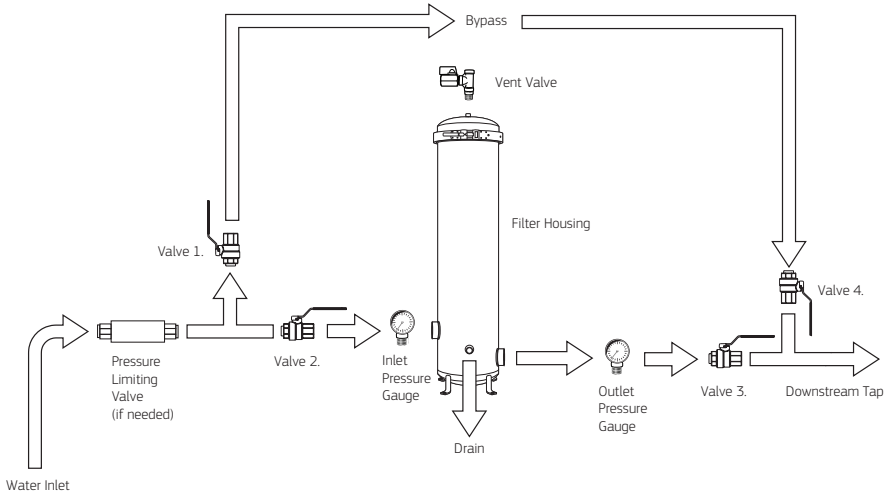
REPLACEMENT PARTS

UFC-SPCAP	Top Cover (top cap)
UFC-SPCMP	Clamp
UFC-SPORR	O-ring, EPDM
UFC-SPORV	O-ring, Viton (optional)
UFC-SPSPG	Spring

INCLUSIONS *(pre-assembled)*

Stainless Steel Filter Housing (Vessel)	1
Top Cover	1
Clamp	1
O-ring	1
Cartridge Post Assemblies & Springs	7
Pressure Plate	1
Vent Valve	1
User Guide	1

Fig. 4 - Ideal Installation



Before Installation

Important Notes:

- Install and test the housing according to this user guide.
- Read the user guide carefully and ensure installation is within the parameters set within the user guide.
- Never remove or loosen closure bolts before venting. Failing to open the vent valve to release the pressure could cause personal injury or damage to equipment.
- Ensure pressure is relieved completely before replacing filter cartridges. Use caution with any possible high temperature water ejection.
- The filter housing must be installed and fixed on level ground. DO NOT install on uneven ground.
- The UFC Series filter housing is for water filtration only. Not suitable for waste water filtration, compressed air or other gases.
- Check all the components to ensure all are present and have not been damaged in transportation.

- Do not use with water that is microbiologically unsafe or with water of unknown quality without adequate disinfection.
- The system **MUST** be installed vertically, as shown in the diagram on page 11. **DO NOT** install the system horizontally as this could result in uneven pressure/damage the system and will void the warranty.
- The toggle on the clamp must only be tightened by hand. Hand tighten the clamp then use a rubber mallet to tap the clamp around the circumference. This seats the clamp correctly and will allow for the clamp to be hand-tightened further. There should be an approx 5 mm gap when tightened correctly. **DO NOT** tighten the clamp to the point where the edges of the clamp touch as this will break the clamp when in service.
- Check that the O-ring and filter media is compatible with water being filtered. **DO NOT** use the housing for the filtration of compressed air or other gasses.
- Regularly check and replace O-ring. Deterioration or damage to the O-ring may cause the housing to leak.
- Internal plastic components will wear with long-term use. Regularly check and replace if any damaged parts are found.
- The legs cannot withstand any extreme torque and should not be put under any pressure from surrounding components, plumbing or other fixtures.
- A pressure relief valve should be installed upstream of the inlet to protect the unit from any pressure surge or pulsation.

Installation Note: A water filter system/tap, like any product, has a limited life and may eventually fail. Also sometimes failure happens early due to unforeseen circumstances. To avoid possible property damage, this product should be regularly examined for leakage and/or deterioration and replaced when necessary. A drain pan, plumbed to an appropriate drain or outfitted with a leak detector, should be used in those applications where any leakage could cause property damage, and/or the water supply should be turned off if no one is home/present.

INSTALLATION MUST BE COMPLETED BY A LICENCED PLUMBER. FAULTY OPERATION DUE TO UNQUALIFIED PERSONS WILL RESULT IN VOIDED WARRANTY COVERAGE.

Installation

1. Adjust support legs and align the filter housing in the correct position. Firmly tighten the legs.
2. Position the unit in a suitable area with a sturdy base. Use bolts (not provided) to fasten the unit to the base via the provided holes in the feet of the legs. For the location of the inlet and outlet connections see Fig. 1 on page 4.
3. Install suitable isolation valves (not included) either side of the housing with a by-pass valve if the cartridges need to be changed whilst the system is operational (see Fig. 4).
4. Install the vent valve on the top cover of the vessel to vent the housing. Any automatic vent valve may need additional support.
5. For filter monitoring, it is best done by observing the difference in pressure between the incoming and outgoing water pressure. To do this, install the appropriate pressure gauges or pressure differential instrument (not provided) best suited to your application (see Fig. 5).
6. Remove all packaging material from the inside of the housing.
7. If pressure exceeds max pressure, an approved pressure limiting device needs to be fitted. If water hammer is present, fit a hammer arrestor close to the source of the hammer. **Note:** Check local plumbing regulations and any installed plumbing fixtures for specific kPa limits required below the stated Max Pressure of this product .

Warning: DO NOT use the housing for the filtration of compressed air or other gasses.

8. Loosen the clamp and remove the top cover.
9. Unfasten the wing nuts on the securing rods and remove the pressure plate and springs
10. Align the center of the filter cartridge with the cartridge post and insert it. Repeat for each cartridge.
11. Centre the springs over the top of each cartridge hole (spring cover downward).
12. Place the pressure plate on top, checking to ensure it sits correctly over the securing rods and springs and secure with the wing nuts.
13. Place the O-ring back into position and place the top cover back into position.

14. Align the clamp with the vessel flange and top cover, and fasten tightly in a clockwise direction. Ensure that the clamp completely seals the top lip and O-ring is clean and not damaged. **HAND TIGHTEN** the clamp key leaving approx 5 mm between the sides of the clamp. **DO NOT OVER-TIGHTEN** as a damaged O-ring will not seal. Use a rubber mallet if needed.
15. Close any drain ports and open the vent valve.
16. Slowly open the inlet valve and allow the air in the housing to expel through the vent valve.
17. When water starts to pass out of the vent valve, close the vent valve and check for leaks. Open the outlet valve.
18. The system is now ready for use.

Cartridge Filter Replacement

WARNING: Do not attempt to open a filter while the inlet or outlet valves are open or while housing is under pressure.

1. Close the inlet valve.

Note: Always close the inlet valve first.

2. Close the outlet valve.
3. Open up the vent valve to allow all pressure from the housing to be released before attempting to open the vessel. Care should be taken to keep face and hands protected and clear of the filter while venting the filter vessel.

Caution: Never remove or loosen closure bolts before venting. Failing to open the vent valve to release the pressurised could cause personal injury or damage to equipment.

4. Loosen the key on the clamp.
5. Remove the top cover and undo the wing nuts on the securing rods to remove the pressure plate and springs.
6. Remove each filter cartridge and dispose of them according to local guidelines.
7. Periodically remove and clean the vessel and check the vessel and O-ring for damage and replace if necessary.

Cartridge Filter Replacement

8. Remove all packaging from the new cartridge, including any wraps (if applicable).
9. Align the center of the filter cartridge with the cartridge post and insert it. Repeat for each cartridge.
10. Centre the springs over the top of each cartridge hole (spring cover downward).
11. Place the pressure plate on top, checking to ensure it sits correctly over the securing rods and springs and secure with the wing nuts.
12. Place the O-ring back into position and place the top cover back into position.
13. Align the clamp with the vessel flange and top cover, and fasten tightly in a clockwise direction. Ensure that the clamp completely seals the top lip and O-ring is clean and not damaged. **HAND TIGHTEN** the clamp key leaving approx 5 mm between the sides of the clamp. **DO NOT OVER-TIGHTEN** as a damaged O-ring will not seal. Use a rubber mallet if needed.
14. Close any drain ports and open the vent valve.
15. Slowly open the inlet valve and allow the air in the housing to expel through the vent valve.
16. When water starts to pass out of the vent valve, close the vent valve and check for leaks. Open the outlet valve.
17. The system is now ready for use.

Warranty

Any claim under this warranty must be made within 1 year of the date of purchase of the product. This product is warranted to be free of defect of material and workmanship for 1 year from date of purchase. Warranty is 1 year parts and labour, excludes consumables. To make a claim under the warranty, take the product and proof of purchase to place where you purchased the product, and they will lodge a Warranty Request with Puretec.

Puretec will pay your reasonable, direct expenses of claiming under this warranty. You may submit details and proof of your expense claim to place of purchase for consideration.

The warranty only applies if the product was used and/or installed in accordance with the user guide and/or installation instructions. This warranty is given in lieu of all other express or implied warranties and manufacturer shall in no circumstance be held liable for damages consequential or otherwise or delays caused or faulty manufacturing except as excluded by law.

Applicable to all above, is that the warranties need to be approved by Puretec to ensure product was not incorrectly used, installed or claimed. False and incorrect claims will be pursued at Puretec's discretion, including chargeable inspection and labour costs incurred.

All installation and service work should be completed by qualified tradespeople. Faulty operation due to unqualified persons will result in voided warranty coverage.

Warranty/Australia

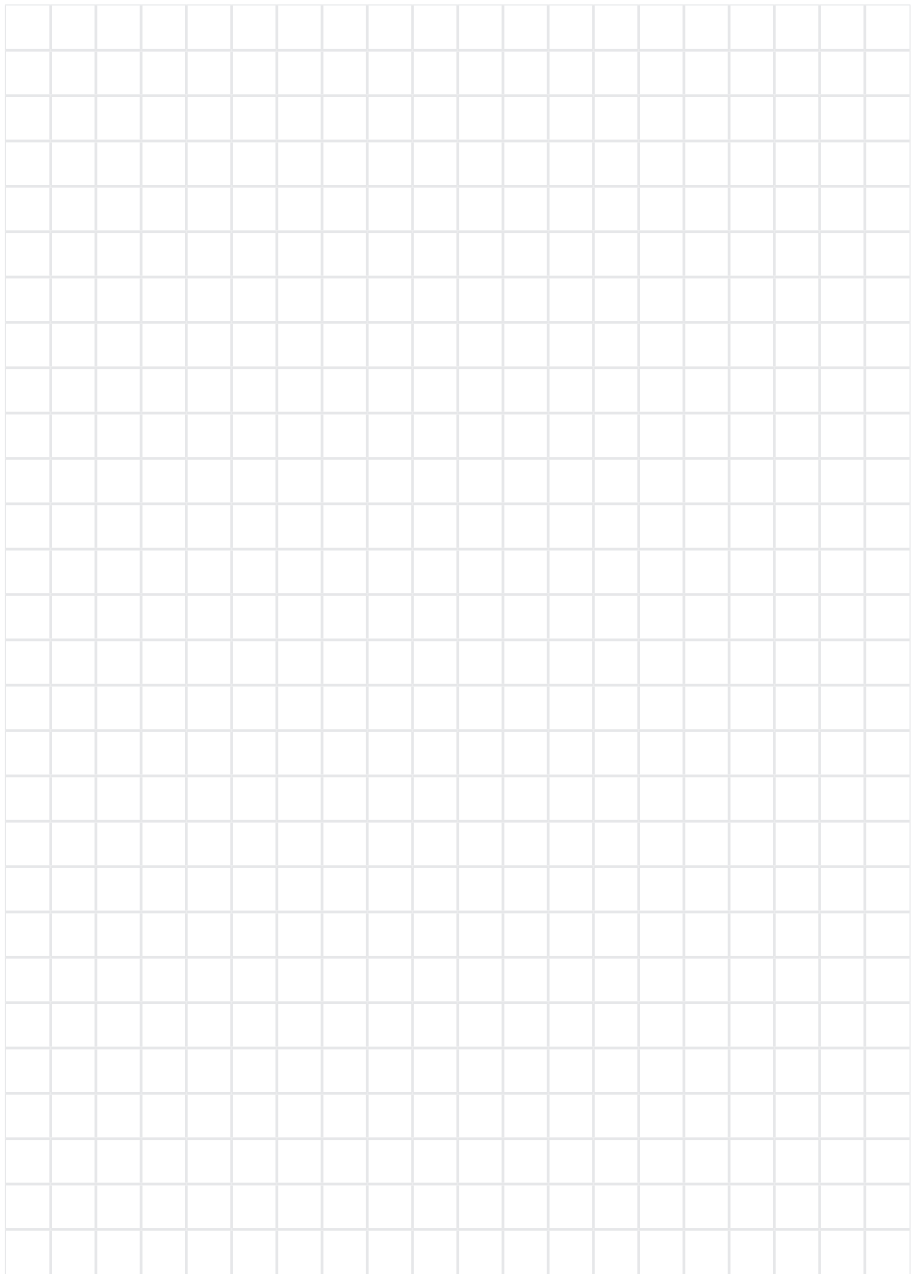
This warranty is given by Puretec Pty Ltd, ABN 44 164 806 688, 37-43 Brodie Road, Lonsdale SA Australia 5160, telephone no. 1300 140 140 and email at sales@puretec.com.au.

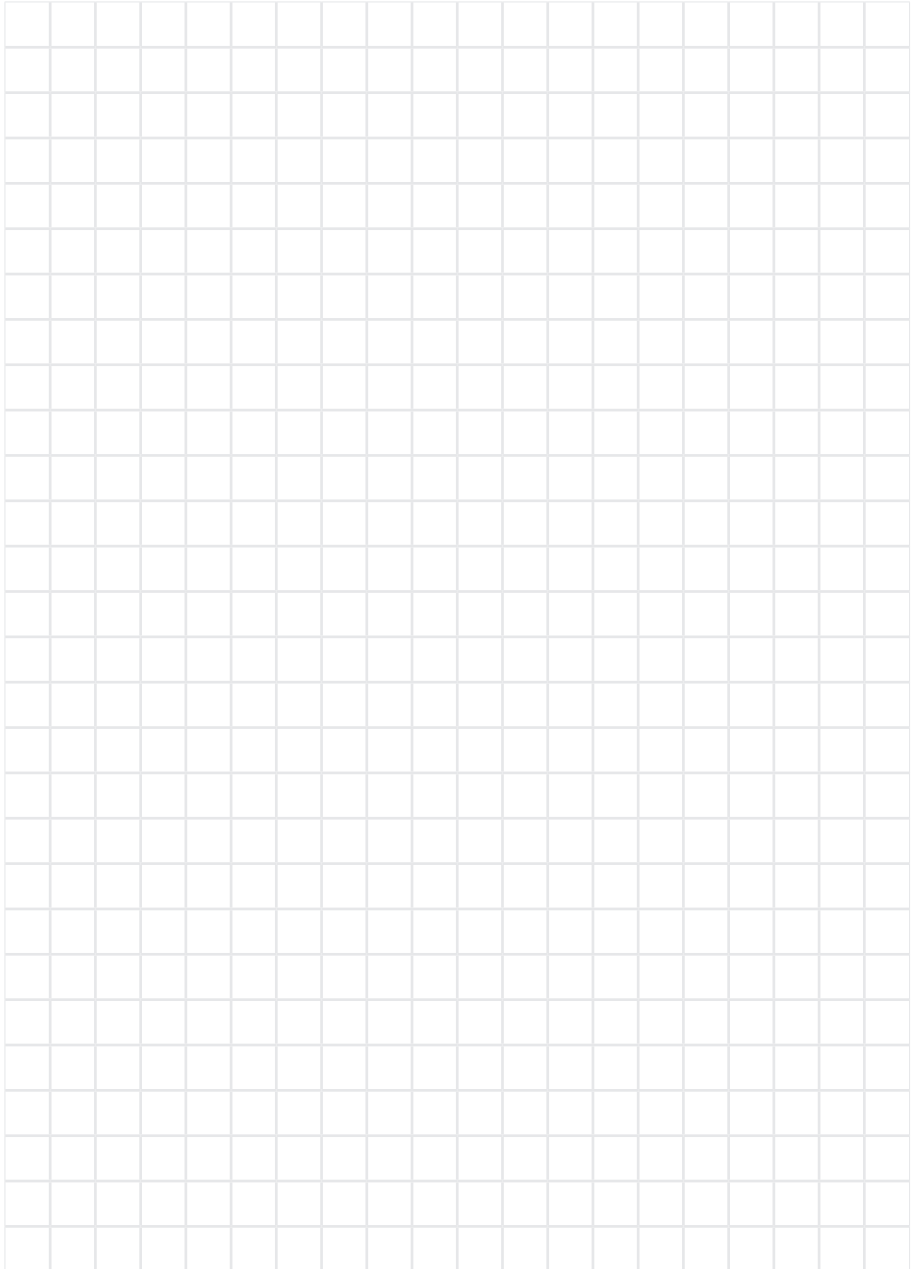
This warranty is provided in addition to other rights and remedies you have under law: Our goods come with guarantees which cannot be excluded under the Australian Consumer Law. You are entitled to replacement or refund for a major failure and to compensation for other reasonably foreseeable loss or damage. You are also entitled to have the goods repaired or replaced if the goods fail to be of acceptable quality and the failure does not amount to a major failure.

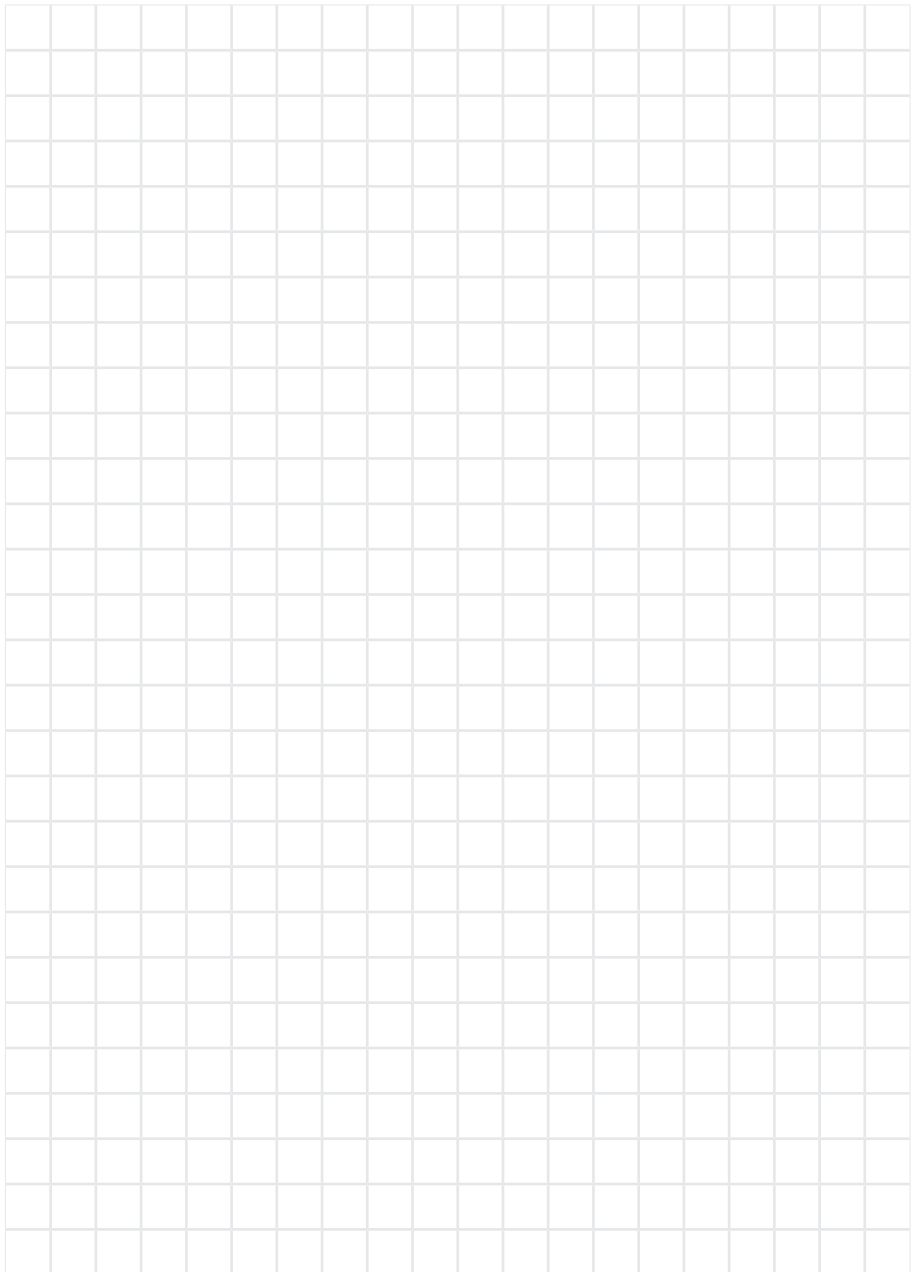
Warranty/New Zealand

This warranty is given by Puretec Ltd, Reg. No 4464398, PO Box 875 Cambridge 3450 NZ, telephone no. 0800 130 140 and email at sales@puretec.co.nz.

This warranty is provided in addition to other rights and remedies you have under law: Our goods come with guarantees which cannot be excluded under the Consumer Guarantees Act. You are entitled to replacement or refund for a major failure and to compensation for other reasonably foreseeable loss or damage. You are also entitled to have the goods repaired or replaced if the goods fail to be of acceptable quality and the failure does not amount to a major failure.









Puretec[®]
PERFECTING WATER

AUSTRALIA

P 1300 140 140

E sales@puretec.com.au

W puretec.com.au

NEW ZEALAND

P 0800 130 140

E sales@puretec.co.nz

W puretec.co.nz