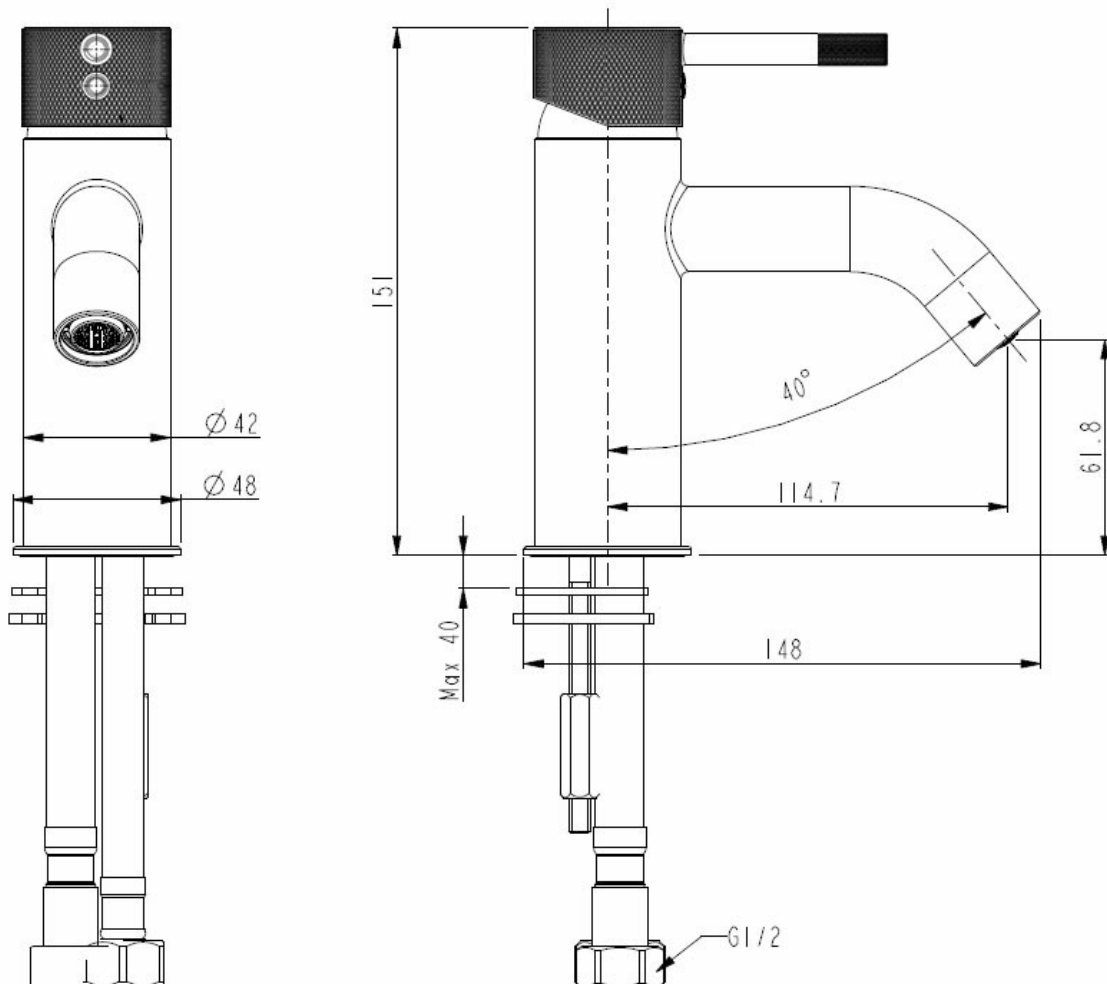


UNO ETCH BASIN MIXER CURVED SPOUT - BRUSHED NICKEL

41651.04

\$739

ELEMENTi



Etched Handle

An etched handle gives an industrial aesthetic with the cross cut texture also providing additional grip for easier operation.



Residential/Light Commercial Use

Suitable for Residential/Light Commercial Use (Kitchens, Bathrooms and Laundries in Hotels, Motels and Retirement Villages).

5

Guarantee

5 Year Guarantee on coloured finish

10

Guarantee

10 Year Guarantee



5 Star WELS rating

More than 4.5 but not more than 6 litres per minute. Mains Pressure





6 Star WELS rating

More than 3 but not more than 4.5 litres per minute.
Low/Unequal Pressure.



Mains Pressure

Suitable for Mains
Pressure.



Multi Pressure

Suitable for Multi
Pressure.



Flawless Finish

Advanced plating provides a durable surface with a long
lasting finish



Effortless Control

Advanced cartridge technology provides a wide
operating angle and smooth operation



Blackened Oil
Bronze: Black

Parts are firstly nickel plated then blackened oxidation
process to apply the base colour. and a transparent
liquid polymer is applied achieve a mat finish and
hardened surface.



Electroplated: Gun
Metal

Electrical current is used to dissolve components into
Lacquer that then adhere to the surface.



Electroplated with
PVD: Brushed Nickel

Electrical current is used to dissolve components into
Lacquer that then adhere to the surface. A thin metal-
spray coating in the form of very thin layers is finally
applied using PVD process.



Electroplated with
PVD: Brushed Brass

Electrical current is used to dissolve components into
Lacquer that then adhere to the surface. A thin metal-
spray coating in the form of very thin layers is finally
applied using PVD process.

An etched handle gives Uno Etch tapware an industrial aesthetic with the cross cut texture also providing additional grip for easier operation.