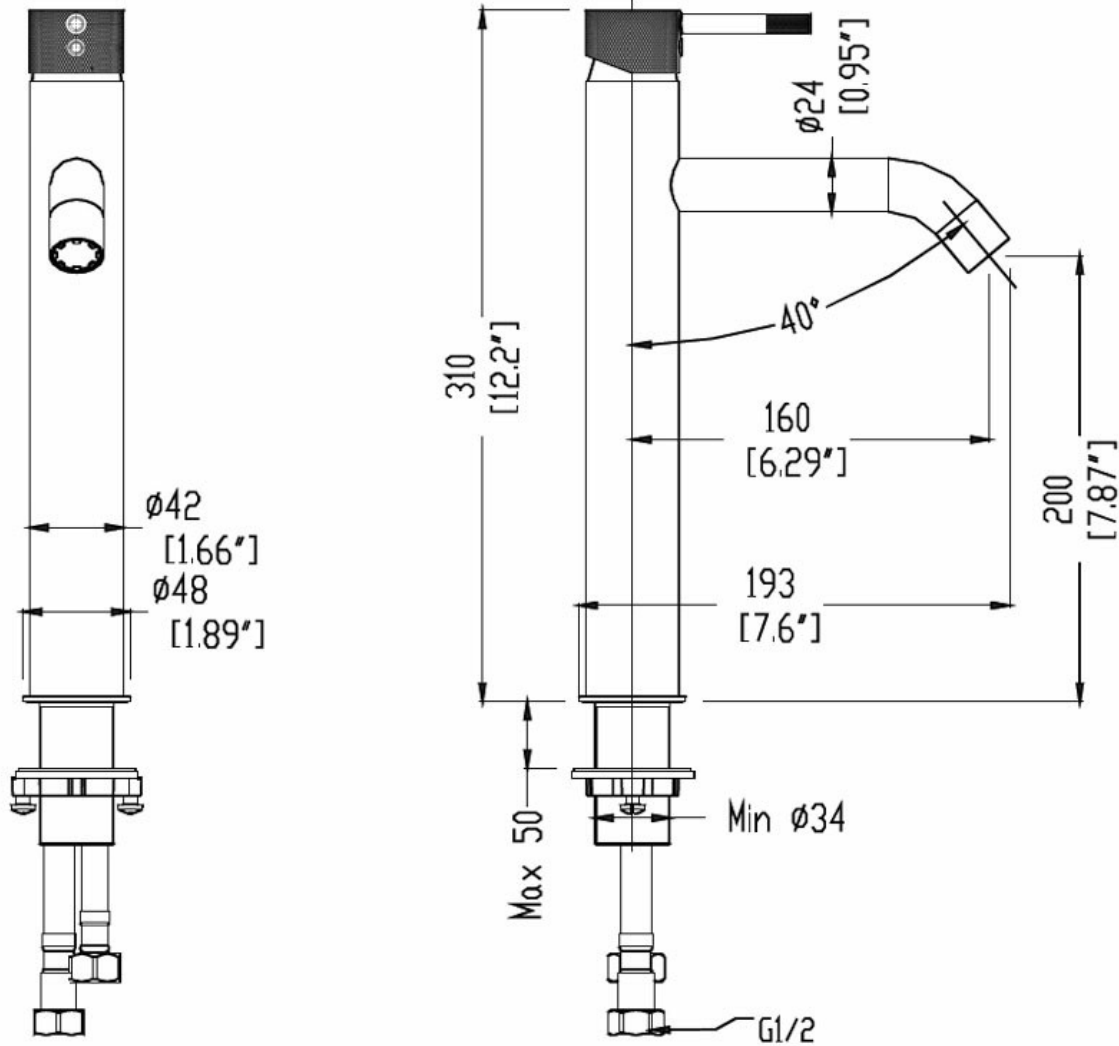


UNO ETCH EXTENDED HEIGHT BASIN MIXER CURVED SPOUT -  
BRUSHED NICKEL

ELEMENTi

41652.04

\$919



Etched Handle

An etched handle gives an industrial aesthetic with the cross cut texture also providing additional grip for easier operation.



Residential/Light Commercial Use

Suitable for Residential/Light Commercial Use (Kitchens, Bathrooms and Laundries in Hotels, Motels and Retirement Villages).

5

Guarantee

5 Year Guarantee on coloured finish

10

Guarantee

10 Year Guarantee



5 Star WELS rating

More than 4.5 but not more than 6 litres per minute. Mains Pressure.





6 Star WELS rating

More than 3 but not more than 4.5 litres per minute.  
Low/Unequal Pressure.



Mains Pressure

Suitable for Mains  
Pressure.



Multi Pressure

Suitable for Multi  
Pressure.



Flawless Finish

Advanced plating provides a durable surface with a long  
lasting finish



Effortless Control

Advanced cartridge technology provides a wide  
operating angle and smooth operation



Blackened Oil  
Bronze: Black

Parts are firstly nickel plated then blackened oxidation  
process to apply the base colour. and a transparent  
liquid polymer is applied achieve a mat finish and  
hardened surface.



Electroplated: Gun  
Metal

Electrical current is used to dissolve components into  
Lacquer that then adhere to the surface.



Electroplated with  
PVD: Brushed Nickel

Electrical current is used to dissolve components into  
Lacquer that then adhere to the surface. A thin metal-  
spray coating in the form of very thin layers is finally  
applied using PVD process.



Electroplated with  
PVD: Brushed Brass

Electrical current is used to dissolve components into  
Lacquer that then adhere to the surface. A thin metal-  
spray coating in the form of very thin layers is finally  
applied using PVD process.

An etched handle gives Uno Etch tapware an industrial aesthetic with the cross cut texture also providing additional grip for easier operation.