

Input

14-35 MJ/h

Output

3.3-8.3 kW*

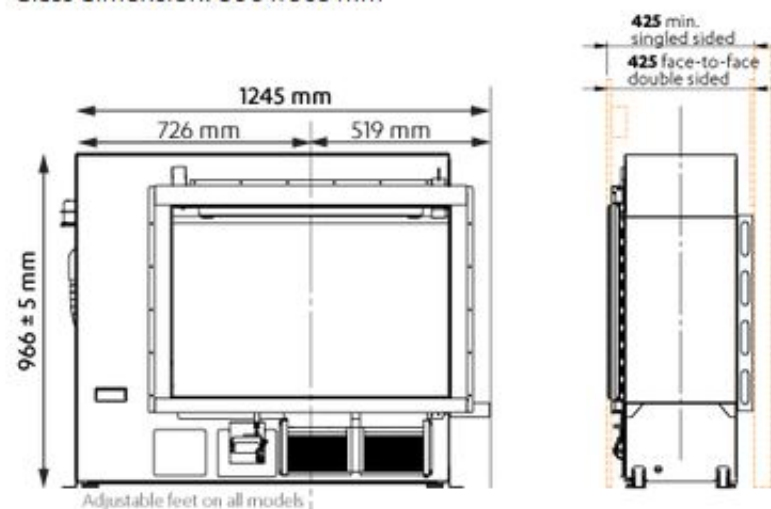
Efficiency

75%

Convection fan	2-speed fan. Heat is distributed from the top of the appliance.
Data plate	Base of the combustion chamber, LHS, on the convection fan access panel
Gas connection	½" BSP, the gas supply terminates inside the heater—lower left hand side
Ignition	Continuous spark electronic ignition.
Noise level	37-45 dB(A)
Flue	Power flue. Inner 50 mm, outer 70-80 mm. Appliance MUST be installed with a Rinnai flue system.
Power consumption	<ul style="list-style-type: none">• High 90 W• Standby less than 8 W
	The Linear has a 1.5 m cord with a three pin plug supplied. The power cord passes through a slot in the right hand side of the appliance.
Safety devices	Flame failure sensing system, pressure relief, overheat safety switch, air temperature sensor, thermal fuse, overcurrent fuse, and spark detector.
Temperature control	The Linear can be operated using the basic infra-red remote, or for more features, such as timers and thermostatic control, using Rinnai's Wi-Fi fireplace controller app.
Weight	100 kg
Compliance	ES: Supplier Declaration of Compliance Declaration number: <ul style="list-style-type: none">• 1907520195
Market release	June 2019

* Will vary according to gas type and flue configuration

Class dimension: 800 x 505 mm



OAKLEYS
bathroom centre | plumbing supplies

www.oakleysplumbing.co.nz