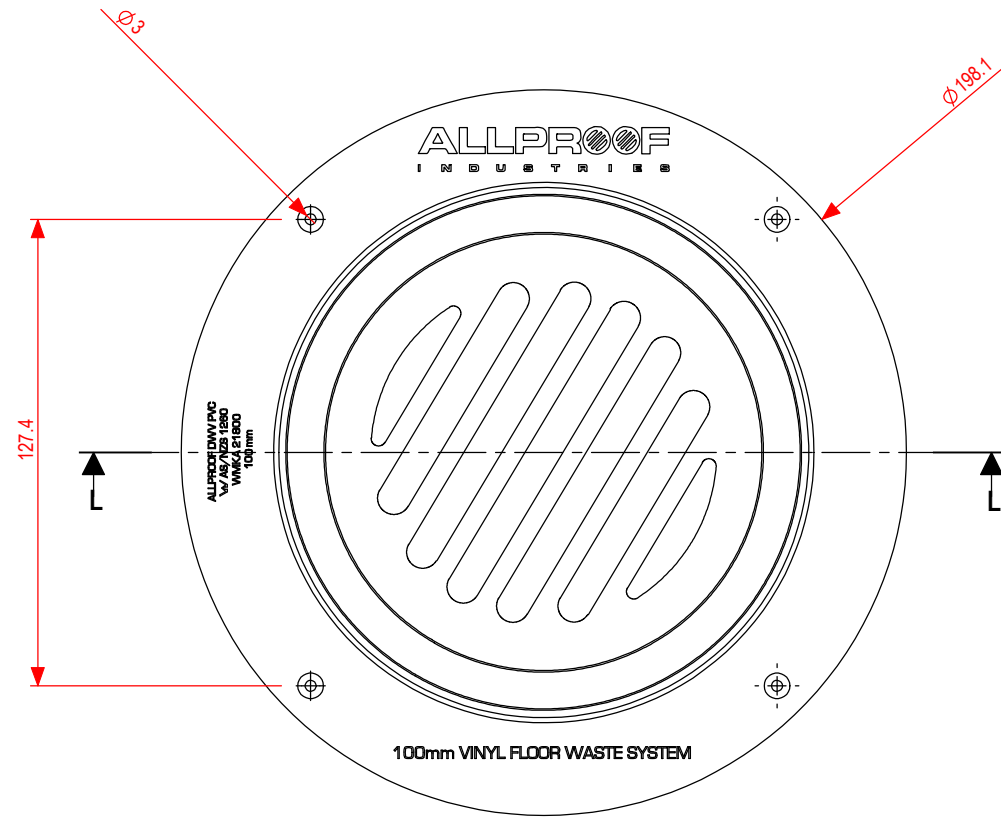
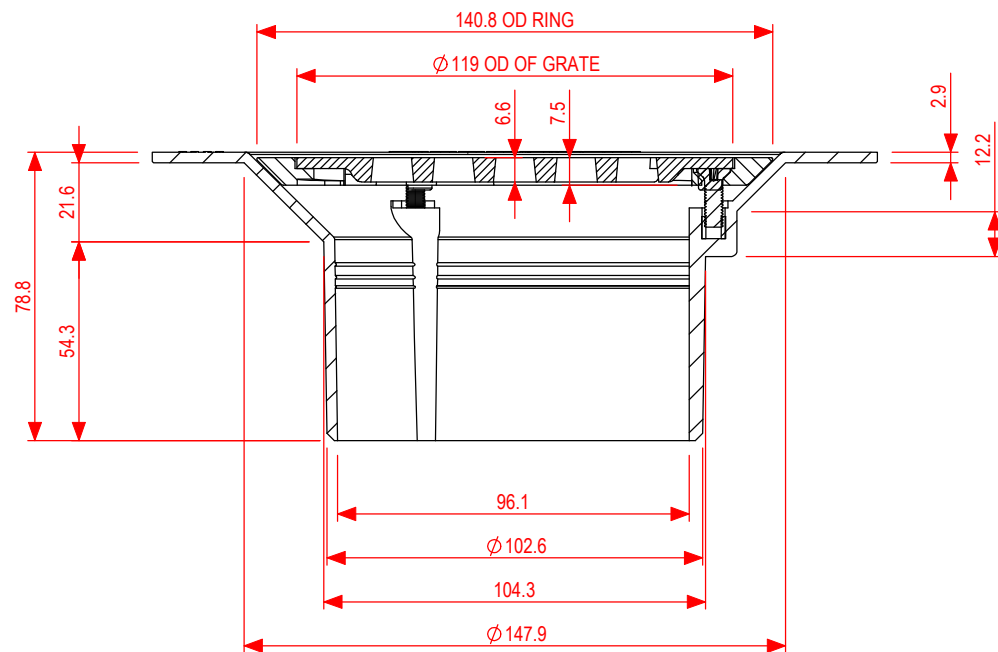


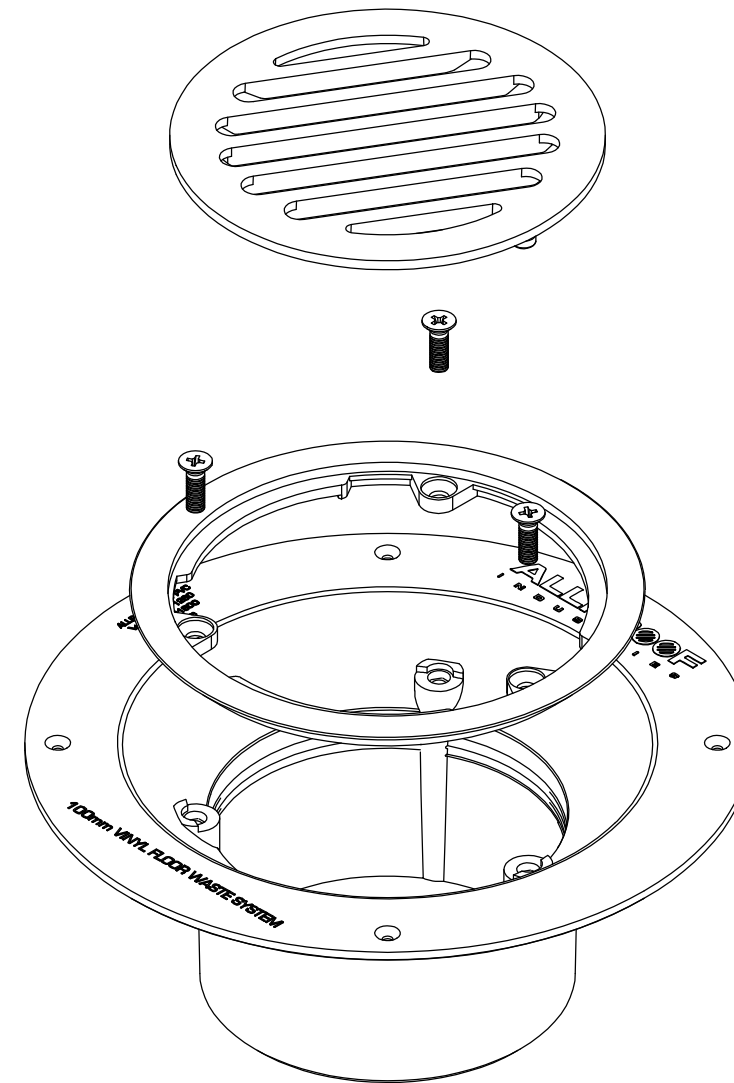
| DESCRIPTION | |
|-------------|-----------------|
| CODE | FINISH |
| VR100CP | CHROME PLATED |
| VR100SS | STAINLESS STEEL |
| VR100BR | BRASS |
| VR100NB | NICKEL BRONZE |



TOP VIEW



SECTION L-L



EXPLODED VIEW

DISCLAIMER - THE DESIGN SUGGESTION IS PROVIDED FOR EVALUATION PURPOSES ONLY.
IT IS NOT TO BE CONSIDERED A FULL DESIGN AS WE ARE NOT THE CONSULTING ENGINEERS, WE ARE MANUFACTURERS. WE ARE NOT PRIVY TO ALL THE INFORMATION PERTAINING TO THIS MATTER AND WE HAVE NO CONTROL OVER THE PROJECT INSTALLATION OF THE PRODUCT. THE DESIGN SUGGESTION IS PROVIDED WITHOUT OBLIGATION. DESIGN IS TO BE CONFIRMED AND APPROVED BY THE ARCHITECT, HYDRAULICS ENGINEER, OR PROJECT MANAGER. ACCURATE MEASUREMENTS SHOULD BE CONFIRMED BY THE PERSON APPROVING THE DESIGN. ALLPROOF ACCEPTS NO LIABILITY FOR THE IMPROPER USE OF THE DESIGN SUGGESTION.

| REVISIONS | CHANGES | DRAWN | DATE | DO NOT SCALE DRAWING | | TITLE |
|--------------------|----------------------------------|-------|------|----------------------|------------|--|
| | | | | REQUESTED | DATE | 100MM VINYL RITE WITH CHROME ON BRASS RING/GRATE |
| | | | | AJ | 10.8.2010 | |
| | | | | DRAWN | DATE | APPLICABLE STANDARD(S): |
| | | | | S.L. | 15.8.2010 | |
| | | | | APPROVED | DATE | |
| XXX | XXX | S.L. | XXX | MATERIAL | | PART NUMBER |
| TOOL NUMBER | | TBC | | | | VR100CP |
| PART WEIGHT(GRAMS) | | TBC | | | | |
| FILE | S\CAD FILES\2014\DIVERSE\VR100CP | | | A3 | UNITS = MM | SCALE 1 : 2 (UOS) |

