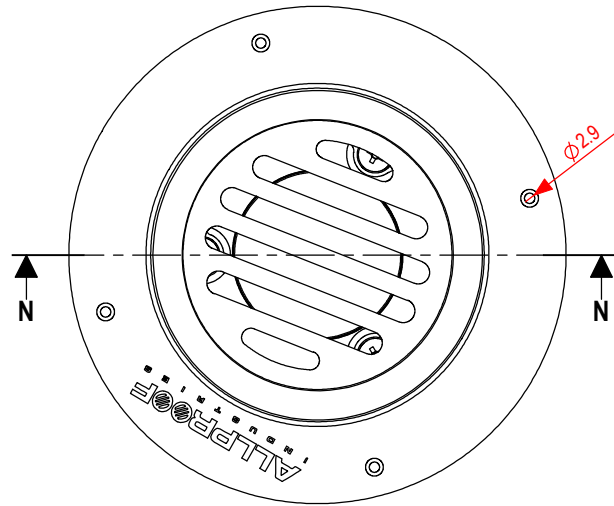
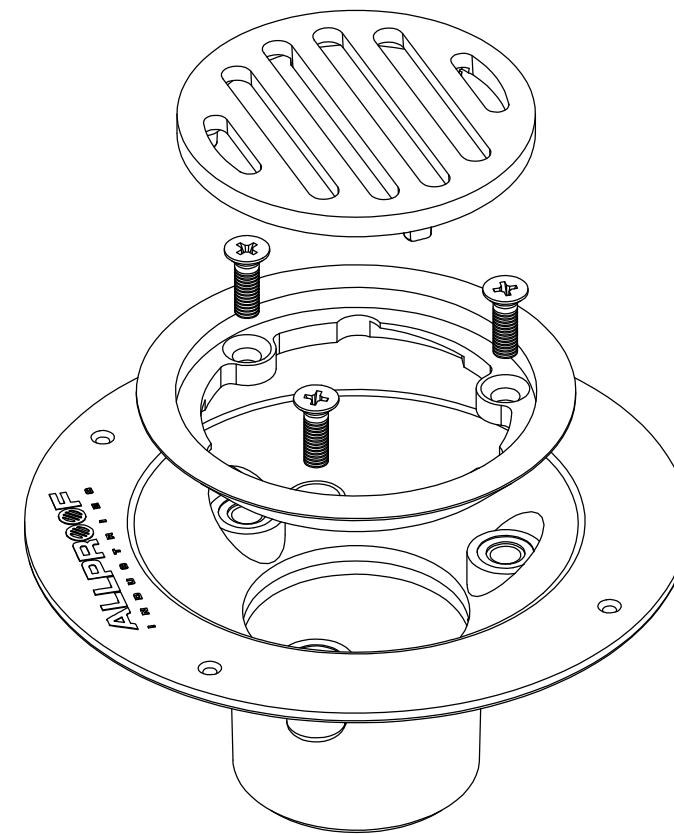


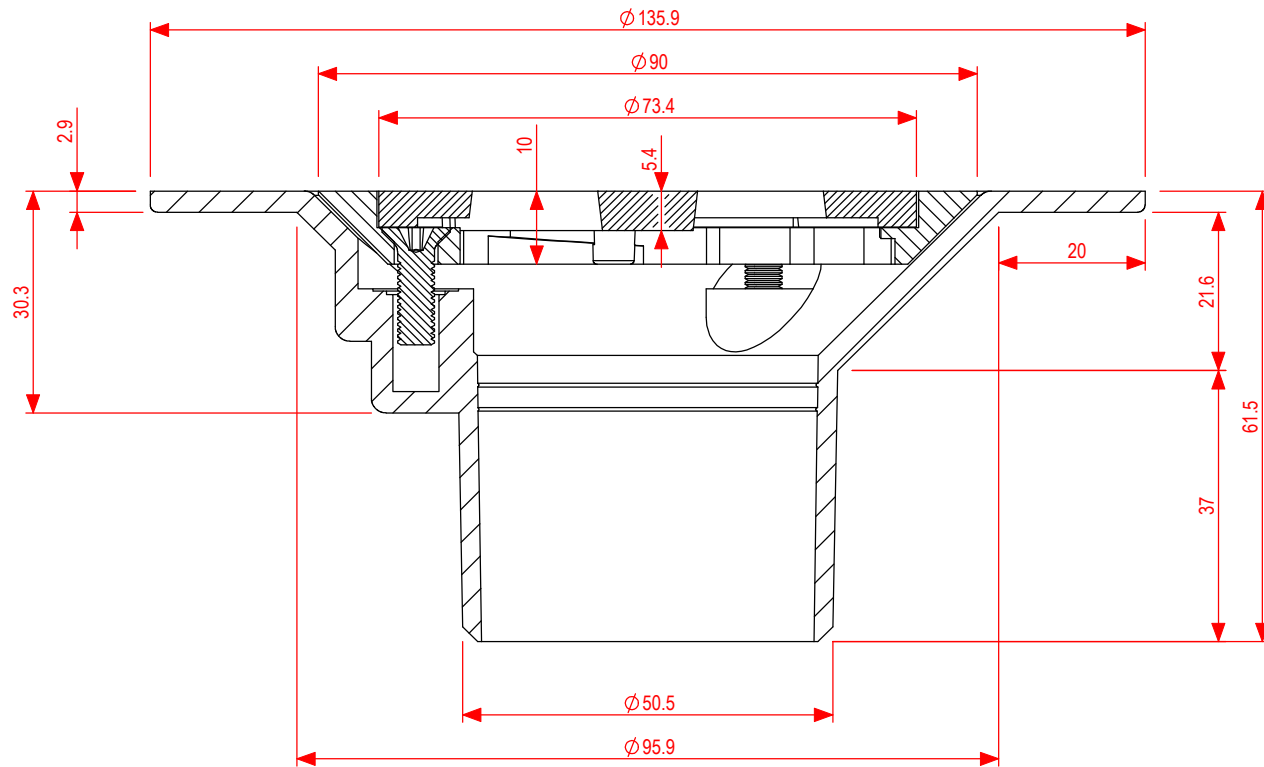
DESCRIPTION	
CODE	FINISH
VR50CP	CHROME PLATED
VR50SS	STAINLESS STEEL
VR50BR	BRASS
VR50NB	NICKEL BRONZE



TOP VIEW



EXPLODED VIEW



SECTION N-N
SCALE 1:1

REVISIONS	CHANGES	DRAWN	DATE	DO NOT SCALE DRAWING		TITLE
				REQUESTED	DATE	50MM VINYL RITE WITH CHROME ON BRASS RING/GRATE
				AJ	10.8.2010	
				DRAWN	DATE	APPLICABLE STANDARD(S):
				S.L.	15.8.2010	
				APPROVED	DATE	PART NUMBER VR50CP
XXX	XXX	S.L.	XXX	MATERIAL		SCALE 1:2 (UOS)
TOOL NUMBER		TBC		A3		
PART WEIGHT(GRAMS)		TBC		UNITS = MM		SHEET 1 OF 1
FILE		S/CAD FILES/2014/DIVERSE/VR50CP		G		

DISCLAIMER - THE DESIGN SUGGESTION IS PROVIDED FOR EVALUATION PURPOSES ONLY.
IT IS NOT TO BE CONSIDERED A FULL DESIGN AS WE ARE NOT THE CONSULTING ENGINEERS, WE ARE MANUFACTURERS. WE ARE NOT PRIVY TO ALL THE INFORMATION PERTAINING TO THIS MATTER AND WE HAVE NO CONTROL OVER THE PROJECT INSTALLATION OF THE PRODUCT. THE DESIGN SUGGESTION IS PROVIDED WITHOUT OBLIGATION. DESIGN IS TO BE CONFIRMED AND APPROVED BY THE ARCHITECT, HYDRAULICS ENGINEER, OR PROJECT MANAGER. ACCURATE MEASUREMENTS SHOULD BE CONFIRMED BY THE PERSON APPROVING THE DESIGN. ALLPROOF ACCEPTS NO LIABILITY FOR THE IMPROPER USE OF THE DESIGN SUGGESTION.