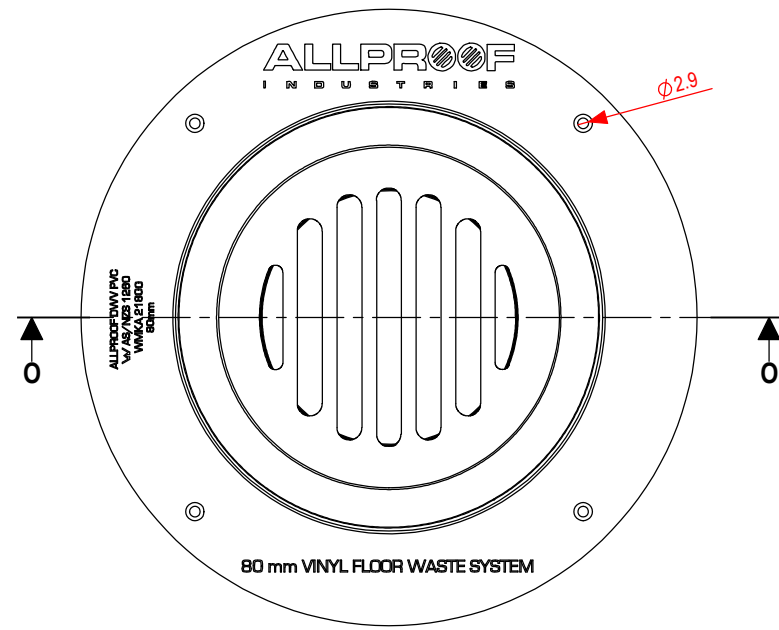
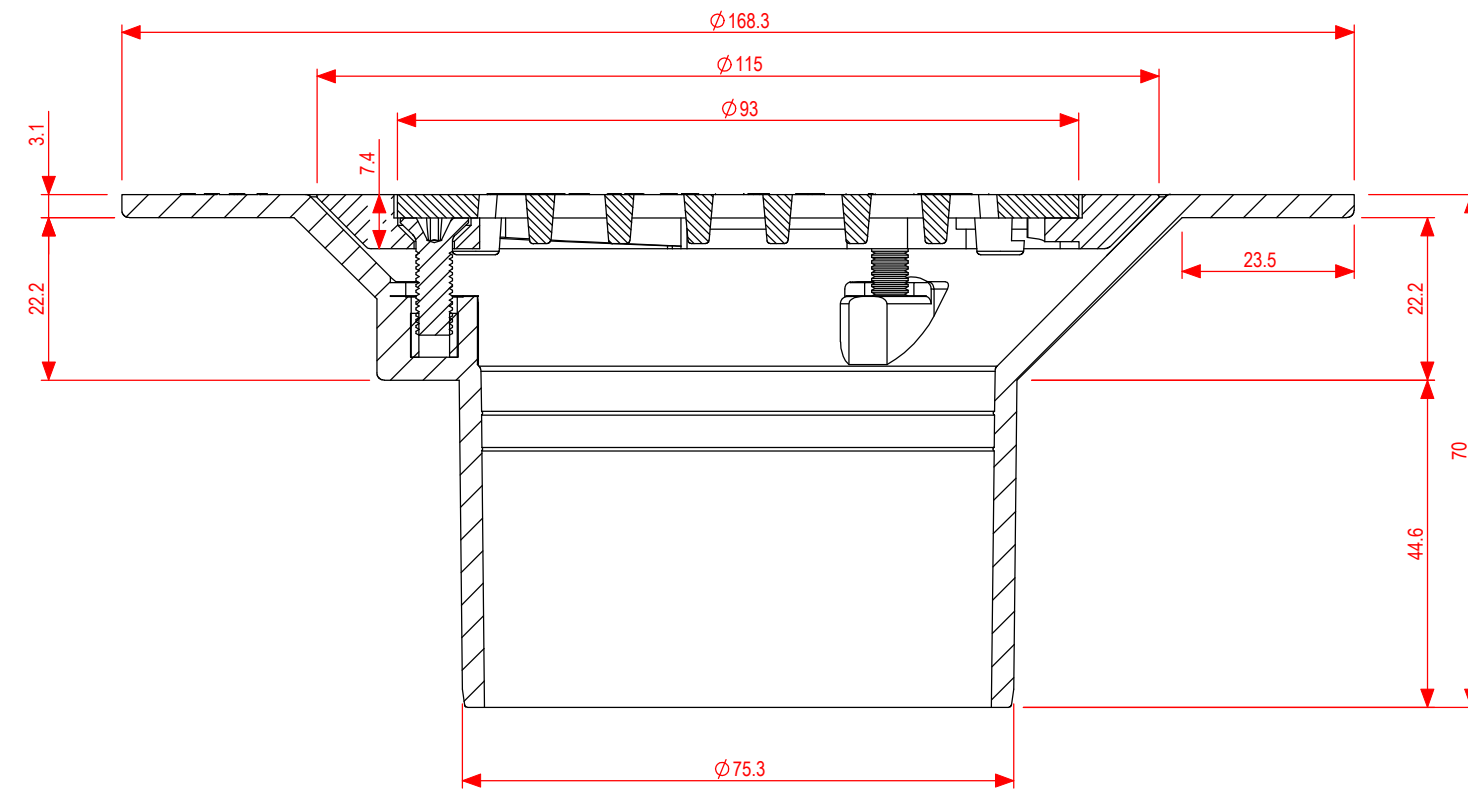


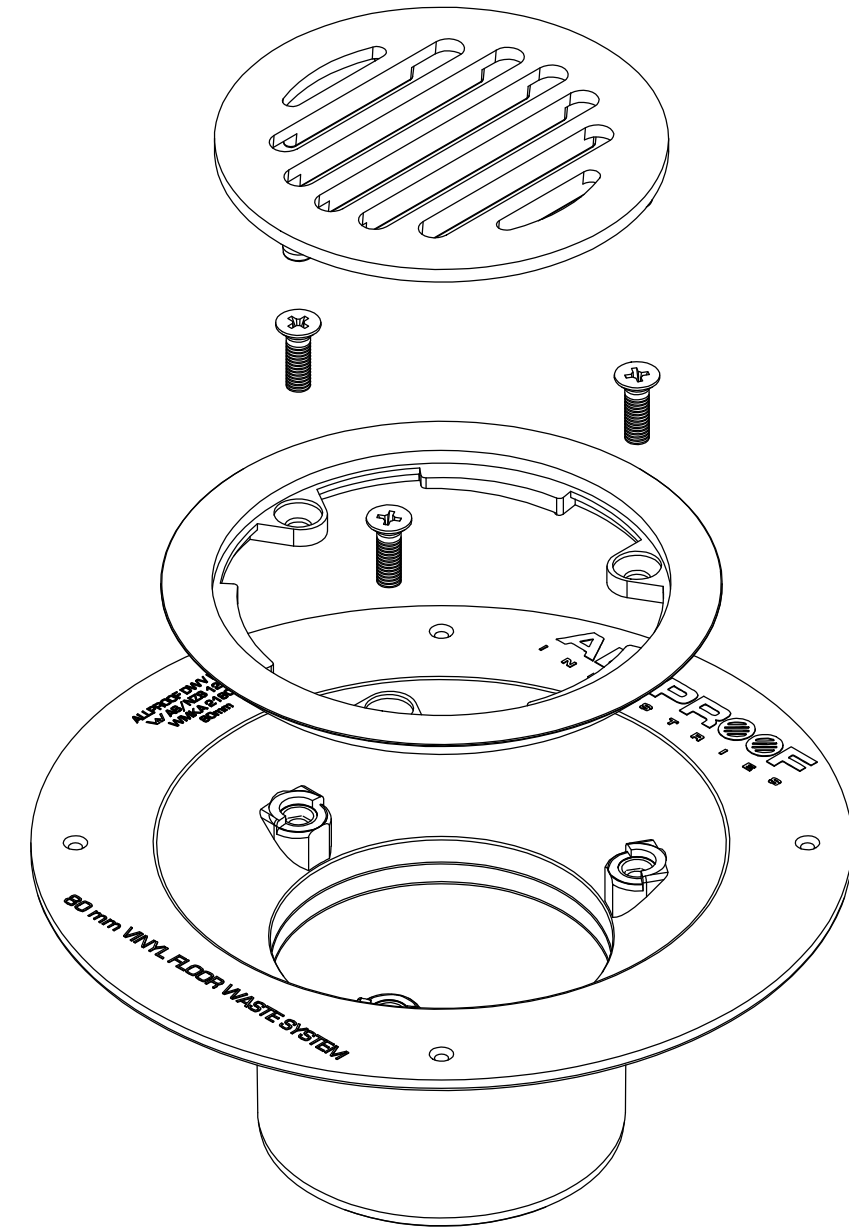
DESCRIPTION	
CODE	FINISH
VR80CP	CHROME PLATED
VR80SS	STAINLESS STEEL
VR80BR	BRASS
VR80NB	NICKEL BRONZE



TOP VIEW

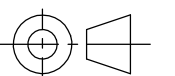


SECTION O-O
SCALE 1:1



EXPLODED VIEW

REVISIONS	CHANGES	DRAWN	DATE	DO NOT SCALE DRAWING		TITLE
				REQUESTED	DATE	80MM VINYL RITE WITH CHROME ON BRASS RING/GRATE
				AJ	10.8.2010	
				DRAWN	DATE	APPLICABLE STANDARD(S):
				S.L.	15.8.2010	
				APPROVED	DATE	
XXX	XXX	S.L.	XXX	MATERIAL		PART NUMBER
TOOL NUMBER		TBC				VR80CP
PART WEIGHT(GRAMS)		TBC				
FILE	S/CAD FILES/2014/DIVERSE/VR80CP			A3	UNITS = MM	SCALE 1:2 (UOS)



DISCLAIMER - THE DESIGN SUGGESTION IS PROVIDED FOR EVALUATION PURPOSES ONLY.
IT IS NOT TO BE CONSIDERED A FULL DESIGN AS WE ARE NOT THE CONSULTING ENGINEERS. WE ARE MANUFACTURERS. WE ARE NOT PRIVY TO ALL THE INFORMATION PERTAINING TO THIS MATTER AND WE HAVE NO CONTROL OVER THE PROJECT INSTALLATION OF THE PRODUCT. THE DESIGN SUGGESTION IS PROVIDED WITHOUT OBLIGATION. DESIGN IS TO BE CONFIRMED AND APPROVED BY THE ARCHITECT, HYDRAULICS ENGINEER, OR PROJECT MANAGER. ACCURATE MEASUREMENTS SHOULD BE CONFIRMED BY THE PERSON APPROVING THE DESIGN. ALLPROOF ACCEPTS NO LIABILITY FOR THE IMPROPER USE OF THE DESIGN SUGGESTION.